

**LIGHTING FOR COMPLEX ENVIRONMENTS**

**1' X 4'**

**APPLICATIONS**

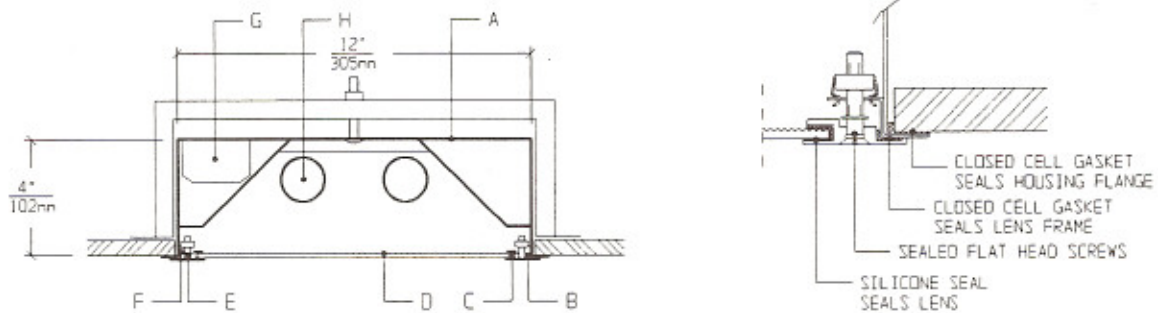
- Cleanrooms
- Food processing centers
- Hospitals
- Pharmaceutical and Biological labs
- Wet Locations

Totally sealed housings with extruded sealed Lens Frames, silicone set lenses, sealed flat head screws, and uniform lighting make CFB Series ideally suited for CLEANROOM, Hospital, Food processing, and Scientific lab areas, where contamination free environment is a must.

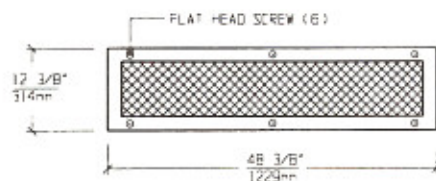
**FEATURES**

- ♦ 1' X 4' sealed, 20 gauge Housing, with Flanges gasketed to ceiling to keep plenum air from entering the room
- ♦ Suitable for Class 10 - Class 100,000 Cleanrooms
- ♦ Extruded gasketed Lens Frame seals to Housing Flange
- ♦ Lens is silicone sealed to Lens Frame
- ♦ Gasketed Access Plate (Optional Internal Junction Box)
- ♦ Low brightness Lens installed smooth side to room
- ♦ Sealed, captive flat head Screws (6)
- ♦ Manufactured in accordance to NSF, FDA, USDA and Federal Standard 209D
- ♦ Gasketed Mounting Yokes

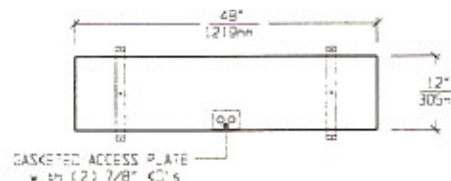
**CROSS SECTION**



**LENS FRAME DIMENSIONS**



**TOP VIEW**



**CEILING CUT-OUT:**

**12 1/4" X 48 1/4"**

**SPECIFICATIONS**

<p><b>A. HOUSING</b> Die formed 20 gauge cold rolled steel Housing, with welded seams. Painted white.</p> <p><b>B. LENS FRAME</b> Heavy aluminum extrusion with sealed mitered corners. Painted white to match Housing.</p> <p><b>C. GASKET</b> Closed cell gaskets and silicone seal prevent air and contaminants from entering the room.</p> <p><b>D. LENS</b> Low brightness Lens with prisms up and smooth side to room for ease of cleaning. (See Options).</p> <p><b>E. FASTENERS</b> Sealed, flush, captive stainless steel screws apply even pressure against Lens Frame.</p>	<p><b>F. HINGE</b> Two "shadow free" detachable chains for ease of installation and maintenance.</p> <p><b>G. BALLAST</b> HPF, Class P, Energy saving Ballast (See Voltage, Ballast Options).</p> <p><b>H. LAMPS</b> 32W T-8 or 40W T-12 Lamps. See Lamp Options. (Lamps by others).</p> <p><b>I. FINISH</b> Polyester Powder coat white finish with 92% reflectance.</p> <p><b>J. UL LISTED</b> Suitable for Wet Locations.</p>
---	--

**LAMP SELECTION**



LAMPS: (1) 32W T-8  
(1) 40W T-12



LAMPS: (2) 32W T-8  
(2) 40W T-12



LAMPS: (3) 32W T-8  
(3) 40W T-12

**ORDERING INFORMATION**

**CFB - 14 -**

No. of LAMPS	WATTAGE	VOLTAGE	BALLAST	LENS OPTION	OPTIONS
1=1 Lamp	32=32 Watts	120=120 Volts	EB=Electronic	12PA=.125"Prism. Acrylic	TP=Tamperproof screws
2=2 Lamps	(T-8)	277=277 Volts	Ballast	15PA=.156"Prism. Acrylic	GF=GLR Fuse
3=3 Lamps	40=40 Watts	347=347 Volts	MB=Magnetic	15PG=.156"Prism. Glass	NL=Night Light(PL-7or 9)
4=4 Lamps	(T-12)		Ballast	15PP=.156"Prism. P/C	DB=Dimming Ballast
			EB2=(2) Electr.	UO = UV Absorbing	EM=Emergency Lighting
			Ballasts	Overlay	CW=Cold Weather
			EBH=<10% THD		Ballast
			El. Ballast	(Other Lens Options available. Consult Factory)	RF=Radio Frequency Interference Filter
					JB=Internal Junction Box
					AHP=Aluminum Housing Painted
					SHP=Stainless Steel Housing, Painted
					(More than one Option can be specified)

**EXAMPLE: CFB - 14 - 2 - 32 - 277 - EB - 12PA - GF - NL**

**DESCRIPTION:** CFB - 14 = Series CFB, 1 foot by 4 feet nominal size  
 2 = 2 Lamps  
 32 = 32 Watts T-8 Lamps  
 277 = 277 Volt Operation  
 EB = Electronic Ballast  
 12PA = .125" Thick Prismatic Acrylic  
 GF = GLR Fuse  
 NL = Night Light for PL - 7 or 9

FIXTURE TYPE		COMMENTS
CATALOG NUMBER	CFB-14-	
JOB NAME		
APPROVAL		
DATE		

Dimensions and Specifications subject to change without notice  
 Fixture guaranteed for one year against mechanical defects in manufacture.  
 2-97 CFB-14