

**SEALED AND GASKETED**

CLEANROOM  
FLANGED, RECESSED  
PARABOLIC LOUVER / FLUSH LENS FRAME  
FLUORESCENT TROFFER

**LIGHTING FOR COMPLEX ENVIRONMENTS**

**2' X 2'**

**APPLICATIONS**

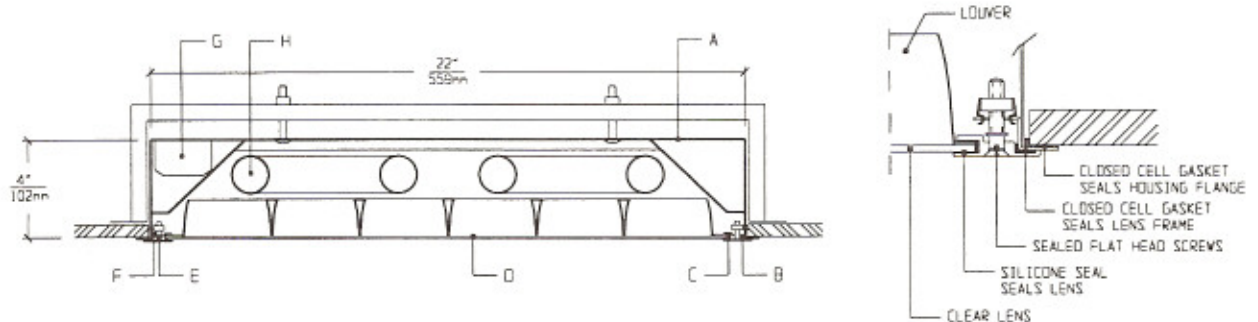
- Cleanrooms
- Food processing centers
- Hospitals
- Pharmaceutical and Biological labs
- Wet Locations

Totally sealed housings with extruded sealed Lens Frames, silicone set lenses, sealed flat head screws, and glare free lighting make CFL Series ideally suited for CLEANROOM, Hospital, Food processing, and Scientific lab areas, where contamination free environment is a must.

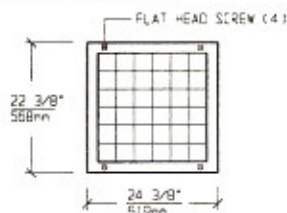
**FEATURES**

- ♦ 2' X 2' sealed, 20 gauge Housing, with Flanges gasketed to ceiling to keep plenum air from entering the room
- ♦ Suitable for Class 10 - Class 100,000 Cleanrooms
- ♦ Extruded gasketed Lens Frame seals to Housing Flange
- ♦ Louver and Lens are silicone sealed to Lens Frame
- ♦ Gasketed Access Plate (Optional Internal Junction Box)
- ♦ Parabolic Louver and clear Lens for glare free illumination
- ♦ Sealed, captive flat head Screws (4). (6 screws optional)
- ♦ Manufactured in accordance to NSF, FDA, USDA and Federal Standard 209D
- ♦ Gasketed Mounting Yokes

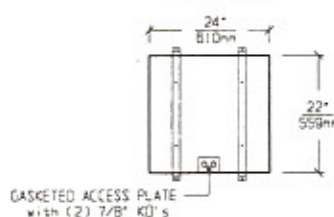
**CROSS SECTION**



**LENS FRAME DIMENSIONS**



**TOP VIEW**



**CEILING CUT-OUT:**

**22 1/4" X 24 1/4"**

**SPECIFICATIONS**

- |   |   |
|---|---|
| <p><b>A. HOUSING</b> Die formed 20 gauge cold rolled steel Housing, with welded seams. Painted white.</p> <p><b>B. LENS FRAME</b> Heavy aluminum extrusion with sealed mitered corners. Painted white to match Housing.</p> <p><b>C. GASKET</b> Closed cell gaskets and silicone seal prevent air and contaminants from entering the room.</p> <p><b>D. SHIELDING</b> Aluminum Parabolic Louver protected by clear Lens. (See Options for Louver and Lens selections).</p> <p><b>E. FASTENERS</b> Sealed, flush, captive stainless steel screws apply even pressure against Lens Frame.</p> | <p><b>F. HINGE</b> Two "shadow free" detachable chains for ease of installation and maintenance.</p> <p><b>G. BALLAST</b> HPF, Class P, Energy saving Ballast (See Voltage, Ballast Options).</p> <p><b>H. LAMPS</b> 32W T-8, 40W T-12, 40W Biax or 40W U Lamps. See Lamp Options. (Lamps by others).</p> <p><b>I. FINISH</b> Polyester Powder coat white finish with 92% reflectance.</p> <p><b>J. UL LISTED</b> Suitable for Wet Locations.</p> |
|---|---|

**LAMP SELECTION**



LAMPS: (2) 17W T-8  
(2) 20W T-12



LAMPS: (3) 17W T-8  
(3) 20W T-12



LAMPS: (4) 17W T-8  
(4) 20W T-12



LAMPS: (2) 40W U (6")



LAMPS: (2) 40W BIAx



LAMPS: (3) 40W BIAx

**ORDERING INFORMATION**

**CFL - 22 -**

No. of LAMPS	WATTAGE	VOLTAGE	BALLAST	LENS / LOUVER	OPTIONS
2=2 Lamps (All)	17=17 Watts (T-8)	120=120 Volts 277=277 Volts	EB=Electronic Ballast	<b>LENS</b> 12CA=.125"Clear Acrylic	TP=Tamperproof screws GF=GLR Fuse
3=3 Lamps (Except U)	20=20 Watts (T-12)	347=347 Volts	MB=Magnetic Ballast	15CA=.156"Clear Acrylic 15CP=.156"Clear P/C	NL=Night Light(PL-7or 9) DB=Dimming Ballast
4=4 Lamps (Except U and Biax)	40U=40 Watts U (6" spacing) 40BX=40 Watts Biax Twin Tube		EB2=(2) Electr. Ballasts EBH=<10% THD El. Ballast	UO = UV Absorbing Overlay <b>LOUVER</b> 15AL=1 1/2"HcX3X3 Parabolic Al. Louver 5PL=1/2"HcX3/4X3/4 Parabolic Louver  (Other Lens / Louver Options available.)	EM=Emergency Lighting CW=Cold Weather Ballast RF=Radio Frequency Interference Filter JB=Internal Junction Box AHP=Aluminum Housing Painted SHP=Stainless Steel Housing, Painted

(More than one Option  
can be specified)

**EXAMPLE: CFL - 22 - 2 - 40U - 277 - EB - 12CA/15AL - GF - NL**

- DESCRIPTION:** CFL - 22 = Series CFL, 2 feet by 2 feet nominal size  
 2 = 2 Lamps  
 40U = 40 Watts U Lamps (6" spacing)  
 277 = 277 Volt Operation  
 EB = Electronic Ballast  
 12CA/15AL = .125" Thick Clear Acrylic Lens with 1 1/2" high Parabolic Aluminum Louver  
 GF = GLR Fuse  
 NL = Night Light for PL - 7 or 9

FIXTURE TYPE		COMMENTS
CATALOG NUMBER	CFL-22-	
JOB NAME		
APPROVAL		
DATE		

Dimensions and Specifications subject to change without notice  
 Fixture guaranteed for one year against mechanical defects in manufacture.  
 2-97 CFL-22