

LIGHTING FOR COMPLEX ENVIRONMENTS

2' X 4'

APPLICATIONS

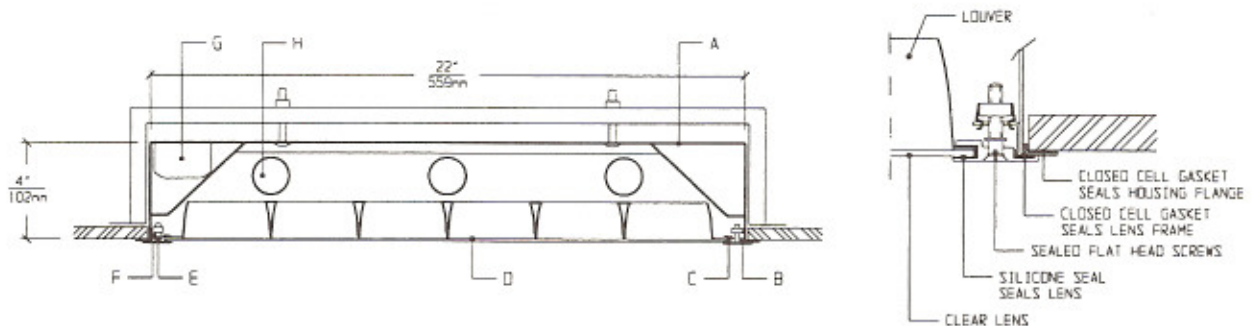
- Cleanrooms
- Food processing centers
- Hospitals
- Pharmaceutical and Biological labs
- Wet Locations

Totally sealed housings with extruded sealed Lens Frames, silicone set lenses, sealed flat head screws, and glare free lighting make CFL Series ideally suited for CLEANROOM, Hospital, Food processing, and Scientific lab areas, where contamination free environment is a must.

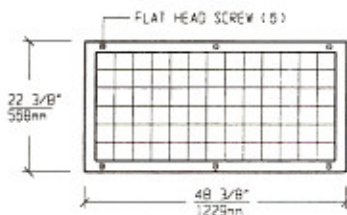
FEATURES

- ♦ 2' X 4' sealed, 20 gauge Housing, with Flanges gasketed to ceiling to keep plenum air from entering the room
- ♦ Suitable for Class 10 - Class 100,000 Cleanrooms
- ♦ Extruded, gasketed Lens Frame seals to Housing Flange
- ♦ Louver and Lens are silicone sealed to Lens Frame
- ♦ Gasketed Access Plate (Optional Internal Junction Box)
- ♦ Parabolic Louver and clear Lens for glare free illumination
- ♦ Sealed, captive flat head Screws (6). (8 screws optional)
- ♦ Manufactured in accordance to NSF, FDA, USDA and Federal Standard 209D
- ♦ Gasketed Mounting Yokes

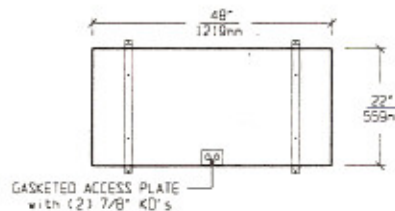
CROSS SECTION



LENS FRAME DIMENSIONS



TOP VIEW



CEILING CUT-OUT:

22 1/4" X 48 1/4"

SPECIFICATIONS

<p>A. HOUSING Die formed 20 gauge cold rolled steel Housing, with welded seams. Painted white.</p> <p>B. LENS FRAME Heavy aluminum extrusion with sealed, mitered corners. Painted white to match Housing.</p> <p>C. GASKET Closed cell gaskets and silicone seal prevent air and contaminants from entering the room.</p> <p>D. SHIELDING Aluminum Parabolic Louver protected by clear Lens. (See Options for Louver and Lens selections).</p> <p>E. FASTENERS Sealed, flush, captive stainless steel screws apply even pressure against Lens Frame.</p>	<p>F. HINGE Two "shadow free" detachable chains for ease of installation and maintenance.</p> <p>G. BALLAST HPF, Class P, Energy saving Ballast (See Voltage, Ballast Options).</p> <p>H. LAMPS 32W T-8 or 40W T-12 Lamps. See Lamp Options. (Lamps by others).</p> <p>I. FINISH Polyester Powder coat white finish with 92% reflectance.</p> <p>J. UL LISTED Suitable for Wet Locations.</p>
--	--

LAMP SELECTION



LAMPS: (2) 32W T-8
(2) 40W T-12



LAMPS: (3) 32W T-8
(3) 40W T-12



LAMPS: (4) 32W T-8
(4) 40W T-12

ORDERING INFORMATION

CFL - 24 -

No. of LAMPS	WATTAGE	VOLTAGE	BALLAST	LENS / LOUVER	OPTIONS
2=2 Lamps	32=32 Watts	120=120 Volts	EB=Electronic	LENS	TP=Tamperproof screws
3=3 Lamps	(T- 8)	277=277 Volts	Ballast	12CA=.125"Clear Acrylic	GF=GLR Fuse
4=4 Lamps	40=40 Watts	347=347 Volts	MB=Magnetic	15CA=.156"Clear Acrylic	NL=Night Light(PL-7or 9)
	(T-12)		Ballast	15CP=.156"Clear P/C	DB=Dimming Ballast
			EB2=(2) Electr.	UO = UV Absorbing	EM=Emergency Lighting
			Ballasts	Overlay	CW=Cold Weather
			EBH=<10% THD	LOUVER	Ballast
			El. Ballast	15AL=1 1/2"Hx3X3	RF=Radio Frequency
				Parabolic Al. Louver	Interference Filter
				5PL=1/2"Hx3/4X3/4	JB=Internal Junction Box
				Parabolic Louver	AHP=Aluminum Housing
				(Other Lens / Louver	Painted
				Options available.)	SHP=Stainless Steel
					Housing, Painted

(More than one Option can be specified)

EXAMPLE: CFL - 24 - 3 - 32 - 277 - EB - 12CA/15AL - GF - NL

DESCRIPTION: CFL-24 = Series CFL, 2 feet by 4 feet nominal size
 3 = 3 Lamps
 32 = 32 Watts T-8 Lamps
 277 = 277 Volt Operation
 EB = Electronic Ballast
 12CA/15AL= .125" Thick Clear Acrylic Lens with 1 1/2" high Parabolic Aluminum Louver
 GF = GLR Fuse
 NL = Night Light for PL - 7 or 9

FIXTURE TYPE	COMMENTS
CATALOG NUMBER CFL-24-	
JOB NAME	
APPROVAL	
DATE	

Dimensions and Specifications subject to change without notice
 Fixture guaranteed for one year against mechanical defects in manufacture.
 2-97 CFL-24