

CFP-24
SEALED AND GASKETED

CLEANROOM
FLANGED, RECESSED
PLENUM ACCESS FROM BELOW
FLUORESCENT TROFFER

LIGHTING FOR COMPLEX ENVIRONMENTS

2' X 4'

APPLICATIONS

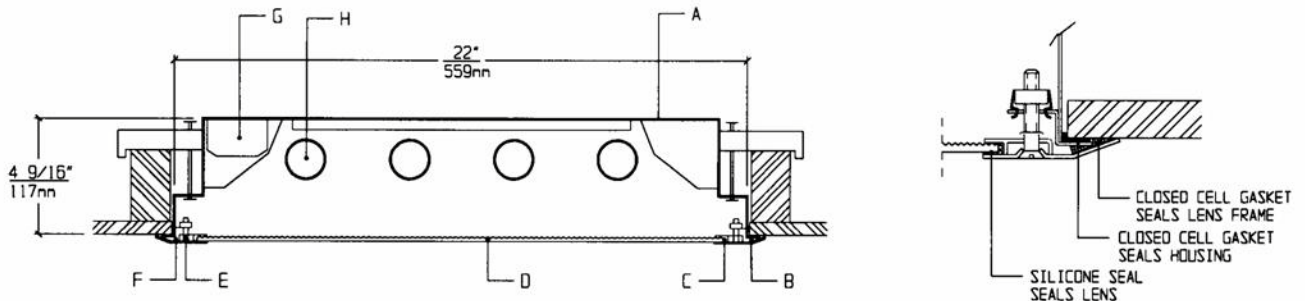
- Cleanrooms
- Food processing centers
- Hospitals
- Pharmaceutical and Biological labs
- Wet Locations

Totally sealed Housings with hinged inside door for easy access to plenum, sealed overlap Lens Frames, silicone set lenses, captive flat head screws, and uniform lighting make CFP Series ideally suited for CLEANROOM, Hospital, Food processing, and Scientific lab areas, where contamination free environment is a must.

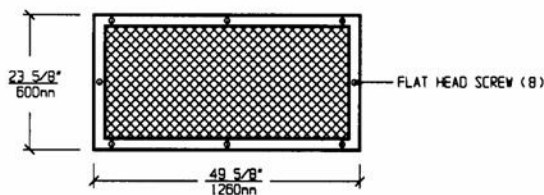
FEATURES

- Plenum access from room side through Housing
- 2' X 4' sealed, painted white, 20ga. Housing
- Suitable for high pressure Hosedown
- Housing Flange is gasketed to ceiling to keep plenum air from entering the room
- Overlap 18ga. Lens Frame is gasketed and seals to ceiling
- Lens is silicone sealed to Lens Frame
- Gasketed Access Plate (Optional Internal Junction Box)
- Low brightness Lens installed smooth side to room
- Captive flat head Screws (8)
- Manufactured in accordance to NSF, FDA, USDA and Federal Standard 209E Class 10 - 100,000 Cleanrooms
- IP-65 rated

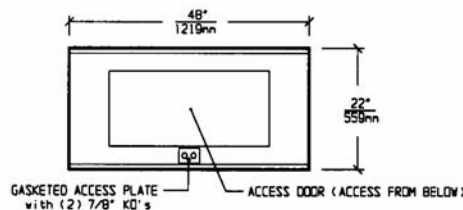
CROSS SECTION



LENS FRAME DIMENSIONS



TOP VIEW



CEILING CUT-OUT:
22 1/4" X 48 1/4"

SPECIFICATIONS

- | | |
|--|---|
| <p>A. HOUSING Die formed 20 gauge cold rolled steel Housing, with welded seams. Inside Access Door, Painted white.</p> <p>B. LENS FRAME Die formed one piece 18 gauge cold rolled steel Lens Frame. Painted white.</p> <p>C. GASKET Closed cell gaskets and silicone seal prevent air and contaminants from entering the room.</p> <p>D. LENS Low brightness Lens with prisms up and smooth side to room for ease of cleaning. (See Options).</p> <p>E. FASTENERS Flush, captive stainless steel screws apply even pressure against Lens Frame.</p> | <p>F. HINGE Two "shadow free" detachable chains for ease of installation and maintenance.</p> <p>G. BALLAST HPF, Class P, Energy saving Ballast (See Voltage, Ballast Options).</p> <p>H. LAMPS 32W T-8, 28W T-5 or 54W T-5 HO Lamps. See Lamp Options. (Lamps by others).</p> <p>I. FINISH Polyester Powder coat white finish with 92% reflectance.</p> <p>J. UL LISTED Suitable for Wet Locations.</p> |
|--|---|

LAMP SELECTION



LAMPS: (2) 32W T-8
(2) 28W T-5
(2) 54W T-5HO



LAMPS: (3) 32W T-8
(3) 28W T-5
(3) 54W T-5HO



LAMPS: (4) 32W T-8
(4) 28W T-5
(4) 54W T-5HO

ORDERING INFORMATION

CFP-24 -

No. of LAMPS	WATTAGE	VOLTAGE	BALLAST	LENS OPTION	OPTIONS
2=2 Lamps	32=32 Watts	120=120 Volts	EB=Electronic Ballast	12PA=. 125" Prism. Acrylic	TP=Tamperproof Screws
3=3 Lamps	(T-8)	277=277 Volts		15PA=. 156" Prism. Acrylic	GF=GLR Fuse
4=4 Lamps	28=28 Watts	347=347 Volts	MB=Magnetic Ballast	15PG=. 156" Prism. Glass	NL=Night Light(PL-7 or9)
	(T-5)		EB2=(2) Electr. Ballasts	18PP=. 187" Prism. P/C Overlay	DB=Dimming Ballast
	54=54 Watts		EBH=<10% THD El. Ballast	UO=UV Absorbing Overlay	EM=Emergency Lighting
	(T-5HO)			(Other Lens Options available. Consult Factory)	CW=Cold Weather Ballast
					RF=Radio Frequency Interference Filter
					JB=Internal Junction Box
					AHP=Aluminum Housing Painted
					AFP=Aluminum Lens Frame, Painted
					AFA=Aluminum Lens Frame, Anodized
					SHP=Stainless Steel Housing, Painted
				(More than one Option can be specified)	SFP=Stainless Steel Lens Frame, Painted
					SFN=Stainless Steel Lens Frame, Natural

EXAMPLE: CFP - 24 - 4 - 32 - 277 - EB - 12PA - GF - NL

DESCRIPTION: CFP - 24 = Series CFP, 2 feet by 4 feet nominal size
 4 = 4 Lamps
 32 = 32 Watts T-8 Lamps
 277 = 277 Volt Operation
 EB = Electronic Ballast
 12PA = .125" Thick Prismatic Acrylic
 GF = GLR Fuse
 NL = Night Light for PL-7 or 9

FIXTURE TYPE		COMMENTS
CATALOG NUMBER	CFP-24-	
JOB NAME		
APPROVAL		
DATE		