

LIGHTING FOR COMPLEX ENVIRONMENTS

2' X 2'

APPLICATIONS

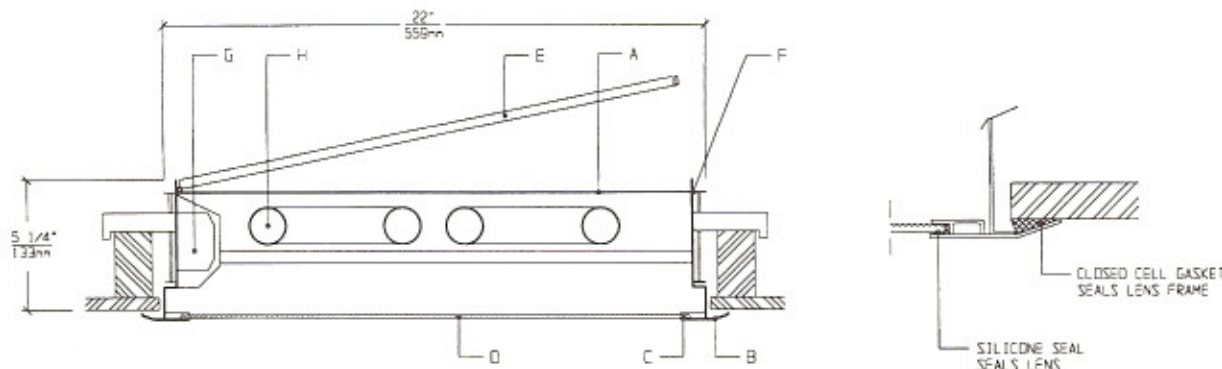
- Cleanrooms
- Food processing centers
- Hospitals
- Pharmaceutical and Biological labs
- Wet Locations

Permanently sealed to ceiling housings with Top Access, overlap Lens Frames, silicone set lenses, and uniform lighting make CFT Series ideally suited for CLEANROOM, Hospital, Food processing, and Scientific lab areas, where contamination free environment is a must.

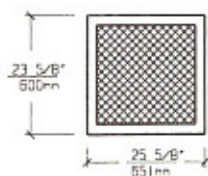
FEATURES

- ♦ 2' X 2' sealed, painted white, 20 gauge Housing
- ♦ Suitable for high pressure Hosedown
- ♦ Swing Brackets (4) adjustable for 1-1/2" to 3" thick ceiling
- ♦ Overlap 18 gauge Lens Frame
- ♦ Lens Frame is permanently installed and sealed to ceiling
- ♦ Hinged gasketed Access Door on top of Housing
- ♦ Low brightness Lens installed smooth side to room
- ♦ Suitable for Class 10 - Class 100,000 Cleanrooms
- ♦ Manufactured in accordance to NSF, FDA, USDA and Federal Standard 209D
- ♦ Lens is silicone sealed to Lens Frame

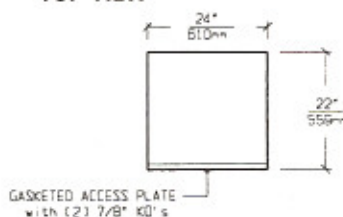
CROSS SECTION



LENS FRAME DIMENSIONS



TOP VIEW



CEILING CUT-OUT:
22 1/4" X 24 1/4"

SPECIFICATIONS

<p>A. HOUSING Die formed 20 gauge cold rolled steel Housing, with welded seams. Swing Brackets for easy installation.</p> <p>B. LENS FRAME Die formed one piece 18 gauge cold rolled steel Lens Frame. Permanently seals to ceiling.</p> <p>C. GASKET Closed cell gaskets and silicone seal prevent air and contaminants from entering the room.</p> <p>D. LENS Low brightness Lens with prisms up and smooth side to room for ease of cleaning. (See Options).</p> <p>E. TOP DOOR Hinged, gasketed full size top access Door used for relamping and maintenance.</p>	<p>F. LATCHES Two draw style latches keep access door closed to prevents dust accumulation inside of housing.</p> <p>G. BALLAST HPF, Class P, Energy saving (See Voltage, Ballast Options).</p> <p>H. LAMPS 17W T-8, 20W T-12, 40W Biax or 40W U-Lamps. See Lamp Options. (Lamps by others).</p> <p>I. FINISH Polyester Powder coat white finish with 92% reflectance.</p> <p>J. UL LISTED Suitable for Wet Locations.</p>
----------------------------------------------------------------------------------------------------------------------------------------------------------------------------------------------------------------------------------------------------------------------------------------------------------------------------------------------------------------------------------------------------------------------------------------------------------------------------------------------------------------------------------------------------------------------------------------------------------	---------------------------------------------------------------------------------------------------------------------------------------------------------------------------------------------------------------------------------------------------------------------------------------------------------------------------------------------------------------------------------------------------------------------------------------------------------------

LAMP SELECTION



LAMPS: (2) 17W T-8
(2) 20W T-12



LAMPS: (3) 17W T-8
(3) 20W T-12



LAMPS: (4) 17W T-8
(4) 20W T-12

ORDERING INFORMATION

CFT - 22 -

No. of LAMPS	WATTAGE	VOLTAGE	BALLAST	LENS OPTION	OPTIONS
2=2 Lamps (All)	17=17 Watts (T- 8)	120=120 Volts 277=277 Volts	EB=Electronic Ballast	12PA=.125"Prism. Acrylic 15PA=.156"Prism. Acrylic	NL=Night Light(PL-7or 9) GF=GLR Fuse
3=3 Lamps (Except U)	20=20 Watts (T-12)	347=347 Volts	MB=Magnetic Ballast	15PG=.156"Prism. Glass 18PP=.187"Prism. P/C	EM=Emergency Lighting DB=Dimming Ballast
4=4 Lamps (Except U and Biax)	40U=40 Watts U (6" spacing) 40BX=40 Watts Biax Twin Tube		EB2=(2) Electr. Ballasts EBH=<10% THD El. Ballast	UO = UV Absorbing Overlay (Other Lens Options available. Consult Factory)	CW=Cold Weather Ballast RF=Radio Frequency Interference Filter AHP=Aluminum Housing Painted AFP=Aluminum Lens Frame, Painted AFA=Aluminum Lens Frame, Anodized SHP=Stainless Steel Housing, Painted SFP=Stainless Steel Lens Frame, Painted SFN=Stainless Steel Lens Frame, Natural

(More than one Option can be specified)

EXAMPLE: CFT - 22 - 4 - 17 - 277 - EB - 12PA - GF - NL

DESCRIPTION: CFT-22 = Series CFT, 2 feet by 2 feet nominal size
 4 = 4 Lamps
 17 = 17 Watts T-8 Lamps
 277 = 277 Volt Operation
 EB = Electronic Ballast
 12PA = .125"Thick Prismatic Acrylic
 GF = GLR Fuse
 NL = Night Light for PL - 7 or 9

FIXTURE TYPE		COMMENTS
CATALOG NUMBER	CFT-22-	
JOB NAME		
APPROVAL		
DATE		

Dimensions and Specifications subject to change without notice
 Fixture guaranteed for one year against mechanical defects in manufacture.
 2 - 97 CFT-22