

CGB-24
SEALED AND GASKETED
CLEANROOM
GRID, RECESSED
FLUSH WITH T-GRID LENS FRAME
FLOURESCENT TROFFER
2' X 4'

LIGHTING FOR COMPLEX ENVIRONMENTS

APPLICATIONS

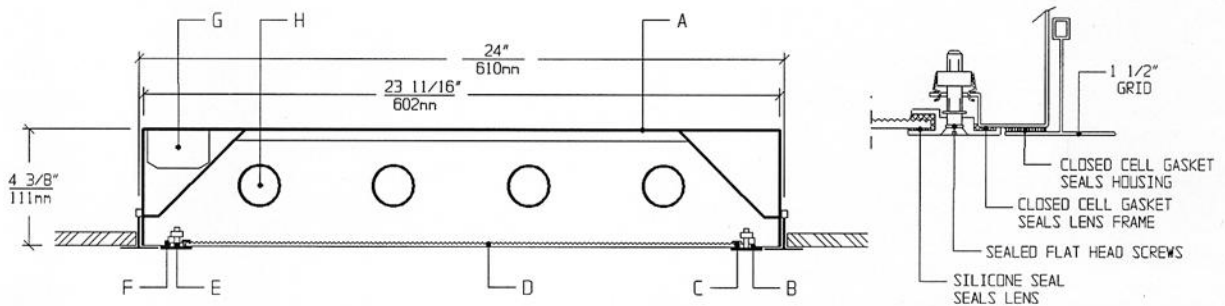
- Cleanrooms
- Food processing centers
- Hospitals
- Pharmaceutical and Biological labs
- Wet Locations

Totally sealed Housings with Flush with Grid Lens Frames, silicone set lenses, sealed flat head screws, and uniform lighting make CGB Series ideally suited for CLEANROOM, Hospital, Food processing, and Scientific lab areas, where contamination free environment is a must.

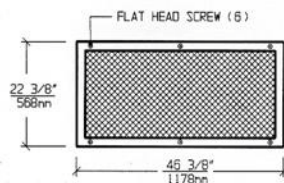
FEATURES

- Sealed, painted white, 20ga. Housing seals to grid
- 2' x 4' nominal Housing size
- Same Housing fits 1", 1-1/2" and 2" standard T-grid ceiling
- Lens Frame is flush with T-Grid and seals to Housing
- Lens is silicone sealed to extruded Lens Frame
- Gasketed Access Plate (Optional Internal Junction Box)
- Low brightness Lens installed smooth side to room
- Sealed, captive flat head Screws (6). (8 screws optional)
- Manufactured in accordance to NSF, FDA, USDA and Federal Standard 209D
- Suitable for Class 10 - Class 100,000 Cleanrooms
- IP-65 rated

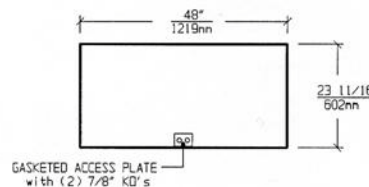
CROSS SECTION



LENS FRAME DIMENSIONS



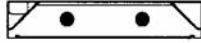
TOP VIEW



SPECIFICATIONS

<p>A. HOUSING Die formed 20 gauge cold rolled steel Housing, with welded seams. Painted white.</p> <p>B. LENS FRAME Heavy aluminum extrusion with sealed mitered corners. Painted white to match Grid.</p> <p>C. GASKET Closed cell gaskets and silicone seal prevent air and contaminants from entering the room.</p> <p>D. LENS Low brightness Lens with prisms up and smooth side to room for ease of cleaning. (See Options).</p> <p>E. FASTENERS Sealed, flush, captive stainless steel screws apply even pressure against Lens Frame.</p>	<p>F. HINGE Two "shadow free" detachable chains for ease of installation and maintenance.</p> <p>G. BALLAST HPF, Class P, Energy saving Ballast. (See Voltage, Ballast Options).</p> <p>H. LAMPS 32W T-8, 28W T-5 or 54W T-5 HO Lamps. See Lamp Options. (Lamps by others).</p> <p>I. FINISH Polyester Powder coat white finish with 92% reflectance.</p> <p>J. UL LISTED Suitable for Wet Locations.</p>
--	--

LAMP SELECTION



LAMPS: (2) 32W T-8
(2) 28W T-5
(2) 54W T-5HO



LAMPS: (3) 32W T-8
(3) 28W T-5
(3) 54W T-5HO



LAMPS: (4) 32W T-8
(4) 28W T-5
(4) 54W T-5HO

ORDERING INFORMATION

CGB-24 -

No. of LAMPS	WATTAGE	VOLTAGE	BALLAST	LENS OPTION	OPTIONS
2=2 Lamps	32=32 Watts	120=120 Volts	EB=Electronic Ballast	12PA=.125" Prism. Acrylic	TP=Tamperproof Screws
3=3 Lamps	(T-8)	277=277 Volts		15PA=.156" Prism. Acrylic	GF=GLR Fuse
4=4 Lamps	28=28 Watts	347=347 Volts	EBH=<10% THD El. Ballast	15PG=.156" Prism. Glass	NL=Night Light(PL-7 or9)
6=6 Lamps	(T-5)		EB2=(2) Electr. Ballasts	15PP=.156" Prism. P/C	DB=Dimming Ballast
	54=54 Watts (T-5HO)			(Other Lens Options available. Consult Factory)	EM=Emergency Lighting
					CW=Cold Weather Ballast
					RF=Radio Frequency Interference Filter
					8S=8 Screws
					AHP=Aluminum Housing Painted
					SHP=Stainless Steel Housing, Painted
					SG=Special Grid Housing (Specify Grid)
					(More than one Option can be specified)

EXAMPLE: CGB - 24 - 4 - 28 - 277 - EB - 12PA - GF - NL

DESCRIPTION: **CGB - 24** = Series CGB, 2 feet by 4 feet nominal size
4 = 4 Lamps
28 = 28 Watts T-5 Lamps
277 = 277 Volt Operation
EB = Electronic Ballast
12PA = .125" Thick Prismatic Acrylic
GF = GLR Fuse
NL = Night Light for PL-7 or 9

FIXTURE TYPE		COMMENTS
CATALOG NUMBER	CGB-24-	
JOB NAME		
APPROVAL		
DATE		