

SEALED AND GASKETED

CLEANROOM
GRID, RECESSED
NO VISIBLE HARDWARE LENS FRAME
FLUORESCENT TROFFER

LIGHTING FOR COMPLEX ENVIRONMENTS

1' X 4'

APPLICATIONS

- Cleanrooms
- Food processing centers
- Hospitals
- Pharmaceutical and Biological labs
- Wet Locations

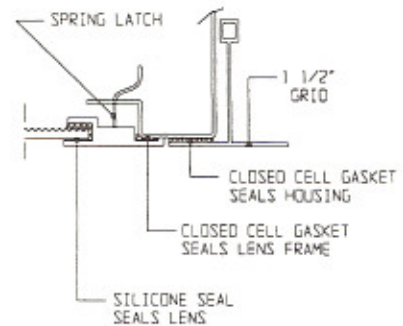
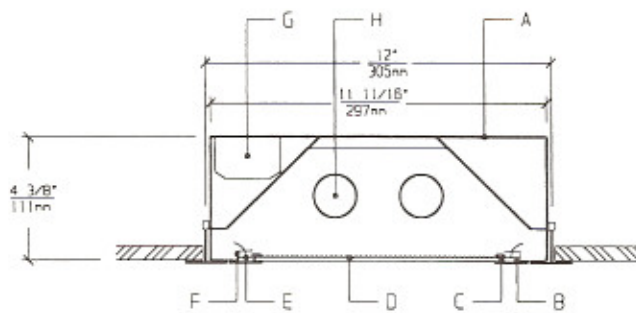
Totally sealed housings with "Clean Look" Lens Frames with no visible hardware, silicone set lenses, and uniform lighting make CGC Series ideally suited for CLEANROOM, Hospital, Food processing, and Scientific lab areas, where contamination free environment is a must.

Hassle-free, no tools required maintenance.

FEATURES

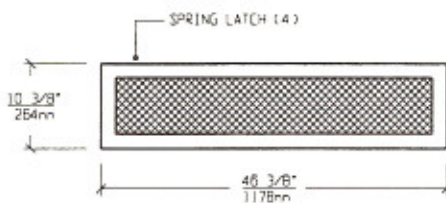
- ♦ "Clean Look" Lens Frame with no visible hardware
- ♦ No tools required to open Lens Frame for relamping
- ♦ Lens Frame is flush with T-Grid and seals to Housing
- ♦ Same Housing fits 1", 1-1/2" and 2" standard T-grid ceiling
- ♦ Suitable for Class 10 - Class 100,000 Cleanrooms
- ♦ Sealed, painted white, 20 gauge Housing seals to grid
- ♦ Lens is silicone sealed to extruded Lens Frame
- ♦ 1' X 4' nominal Housing size
- ♦ Low brightness Lens installed smooth side to room
- ♦ Gasketed Access Plate (Optional Internal Junction Box)
- ♦ Manufactured in accordance to NSF, FDA, USDA and Federal Standard 209D

CROSS SECTION

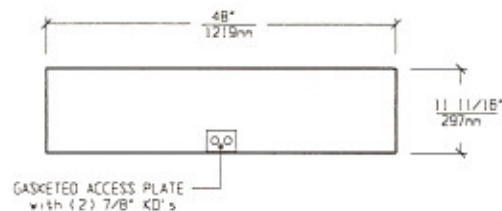


Patent Pending

LENS FRAME DIMENSIONS



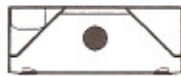
TOP VIEW



SPECIFICATIONS

- | | |
|--|---|
| <p>A. HOUSING Die formed 20 gauge cold rolled steel Housing, with welded seams. Painted White.</p> <p>B. LENS FRAME Heavy aluminum extrusion with sealed mitered corners. Painted white to match Grid.</p> <p>C. GASKET Closed cell gaskets and silicone seal prevent air and contaminants from entering the room.</p> <p>D. LENS Low brightness Lens with prisms up and smooth side to room for ease of cleaning. (See Options).</p> <p>E. LATCHING Two Latches allow to open Lens Frame without use of tools.</p> | <p>F. HINGE Two detachable Hinges for ease of installation and maintenance.</p> <p>G. BALLAST HPF, Class P, Energy saving Ballast. (See Voltage, Ballast Options).</p> <p>H. LAMPS 32W T-8 or 40W T-12 Lamps. See Lamp Options. (Lamps by others).</p> <p>I. FINISH Polyester Powder coat white finish with 92% reflectance.</p> <p>J. U.L. LISTED Suitable for Wet Locations.</p> |
|--|---|

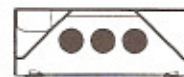
LAMP SELECTION



LAMPS: (1) 32W T-8
(1) 40W T-12



LAMPS: (2) 32W T-8
(2) 40W T-12



LAMPS: (3) 32W T-8
(3) 40W T-12

ORDERING INFORMATION

CGC - 14 -

No. of LAMPS	WATTAGE	VOLTAGE	BALLAST	LENS OPTION	OPTIONS
1=1 Lamp	32=32 Watts	120=120 Volts	EB=Electronic	12PA=.125"Prism. Acrylic	JB=Internal Junction Box
2=2 Lamps	(T- 8)	277=277 Volts	Ballast	15PA=.156"Prism. Acrylic	GF=GLR Fuse
3=3 Lamps	40=40 Watts	347=347 Volts	MB=Magnetic	15PG=.156"Prism. Glass	NL=Night Light(PL-7or 9)
4=4 Lamps	(T-12)		Ballast	15PP=.156"Prism. P/C	DB=Dimming Ballast
			EB2=(2) Electr.	UO = UV Absorbing	EM=Emergency Lighting
			Ballasts	Overlay	CW=Cold Weather
			EBH=<10% THD		Ballast
			El. Ballast	(Other Lens Options available. Consult Factory)	RF=Radio Frequency Interference Filter
					AHP=Aluminum Housing Painted
					SHP=Stainless Steel Housing, Painted
					SG=Special Grid Housing (Specify grid)

(More than one Option can be specified)

Patent Pending

EXAMPLE: CGC - 14 - 2 - 32 - 277 - EB - 12PA - GF - NL

DESCRIPTION: CGC-14 = Series CGC, 1 foot by 4 feet nominal size
 2 = 2 Lamps
 32 = 32 Watts T-8 Lamps
 277 = 277 Volt Operation
 EB = Electronic Ballast
 12PA = .125" Thick Prismatic Acrylic
 GF = GLR Fuse
 NL = Night Light for PL - 7 or 9

FIXTURE TYPE		COMMENTS
CATALOG NUMBER	CGC-14-	
JOB NAME		
APPROVAL		
DATE		

Dimensions and Specifications subject to change without notice
 Fixture guaranteed for one year against mechanical defects in manufacture.
 Copyright 2-97 CGC-14