

**LIGHTING FOR COMPLEX ENVIRONMENTS**

**1' X 4'**

**APPLICATIONS**

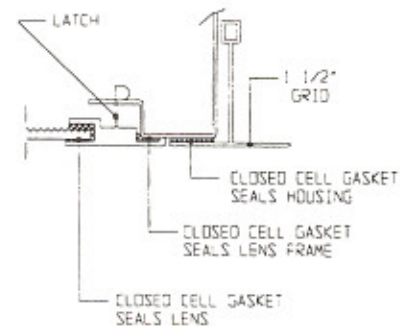
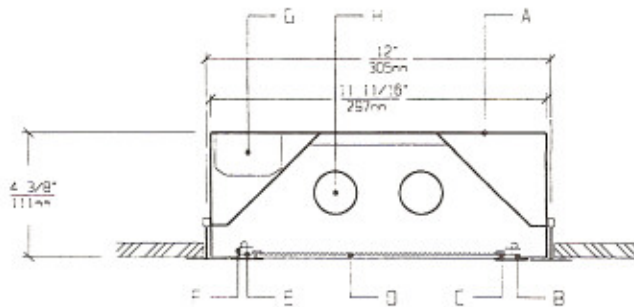
- Cleanrooms
- Food processing centers
- Hospitals
- Pharmaceutical and Biological labs
- Wet Locations

Totally sealed housings with Flush with Grid Lens Frames, gasketed lenses, and uniform lighting make CGE Series ideally suited for CLEANROOM, Hospital, Food processing, and Scientific lab areas, where contamination free environment must be achieved at a lower cost.

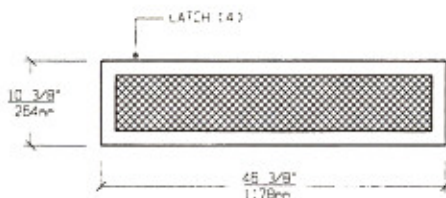
**FEATURES**

- ♦ Sealed, painted white, 20 gauge Housing seals to grid
- ♦ 1' X 4' nominal Housing size
- ♦ Same Housing fits 1" and 1-1/2" standard T-grid ceiling
- ♦ Lens Frame is flush with T-Grid and seals to Housing
- ♦ Lens is gasketed to extruded Lens Frame
- ♦ Suitable for Class 1,000 - Class 100,000 Cleanrooms
- ♦ Low brightness Lens installed smooth side to room
- ♦ No tools required to open Lens Frame for relamping
- ♦ Manufactured in accordance to NSF, FDA, USDA and Federal Standard 209D

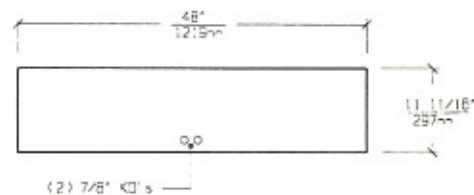
**CROSS SECTION**



**LENS FRAME DIMENSIONS**



**TOP VIEW**



**SPECIFICATIONS**

<p><b>A. HOUSING</b> Die formed 20 gauge cold rolled steel Housing, with welded seams. Painted White.</p> <p><b>B. LENS FRAME</b> Heavy aluminum extrusion with mitered corners. Painted white to match Grid.</p> <p><b>C. GASKET</b> Closed cell gaskets prevent air and contaminants from entering the room.</p> <p><b>D. LENS</b> Low brightness Lens with prisms up and smooth side to room for ease of cleaning. (See Options).</p> <p><b>E. LATCHING</b> Two Latches allow to open Lens Frame without use of tools.</p>	<p><b>F. HINGE</b> Two detachable Hinges for ease of installation and maintenance.</p> <p><b>G. BALLAST</b> HPF, Class P, Energy saving Ballast. (See Voltage, Ballast Options).</p> <p><b>H. LAMPS</b> 32W T-8 or 40W T-12 Lamps. See Lamp Options. (Lamps by others).</p> <p><b>I. FINISH</b> Polyester Powder coat white finish with 92% reflectance.</p> <p><b>J. UL LISTED</b> Suitable for Wet Locations.</p>
---	---

**LAMP SELECTION**



LAMPS: (1) 32W T-8  
(1) 40W T-12



LAMPS: (2) 32W T-8  
(2) 40W T-12



LAMPS: (3) 32W T-8  
(3) 40W T-12

**ORDERING INFORMATION**

**CGE - 14 -**

No. of LAMPS	WATTAGE	VOLTAGE	BALLAST	LENS OPTION	OPTIONS
1=1 Lamps	32=32 Watts	120=120 Volts	EB=Electronic Ballast	12PA=.125"Prism. Acrylic	GF=GLR Fuse
2=2 Lamps	(T- 8)	277=277 Volts		15PA=.156"Prism. Acrylic	NL=Night Light(PL-7or 9)
3=3 Lamps	40=40 Watts	347=347 Volts	MB=Magnetic Ballast	15PG=.156"Prism. Glass	DB=Dimming Ballast
4=4 Lamps	(T-12)		EB2=(2) Electr. Ballasts	15PP=.156"Prism. P/C	EM=Emergency Lighting
			EBH=<10% THD El. Ballast	UO = UV Absorbing Overlay	CW=Cold Weather Ballast
				(Other Lens Options available. Consult Factory)	RF=Radio Frequency Interference Filter

(More than one Option can be specified)

**EXAMPLE: CGE - 14 - 3 - 32 - 277 - EB - 12PA - GF - NL**

**DESCRIPTION:** CGE-14 = Series CGE, 1 foot by 4 feet nominal size  
 3 = 3 Lamps  
 32 = 32 Watts T-8 Lamps  
 277 = 277 Volt Operation  
 EB = Electronic Ballast  
 12PA = .125" Thick Prismatic Acrylic  
 GF = GLR Fuse  
 NL = Night Light for PL - 7 or 9

FIXTURE TYPE		COMMENTS
CATALOG NUMBER	CGE-14-	
JOB NAME		
APPROVAL		
DATE		

Dimensions and Specifications subject to change without notice  
 Fixture guaranteed for one year against mechanical defects in manufacture.  
 Copyright 2-97 CGE-14