

**LIGHTING FOR COMPLEX ENVIRONMENTS**

**1' X 4'**

**APPLICATIONS**

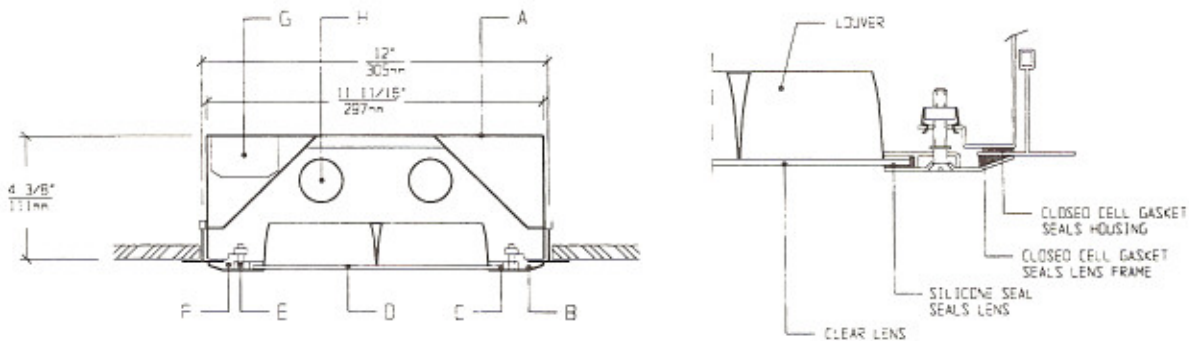
- Cleanrooms
- Food processing centers
- Hospitals
- Pharmaceutical and Biological labs
- Wet Locations

Totally sealed housings with sealed overlap Lens Frames, silicone set lenses, captive flat head screws, and glare free lighting make CGK Series ideally suited for CLEANROOM, Hospital, Food processing, and Scientific lab areas, where contamination free environment is a must.

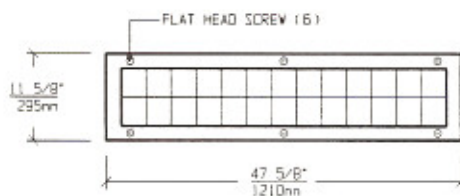
**FEATURES**

- ♦ 1' X 4' sealed, painted white, 20 ga. Housing seals to grid
- ♦ Suitable for high pressure Hosedown
- ♦ Same Housing fits 1", 1-1/2" and 2" standard T-grid ceiling
- ♦ Overlap 18 ga. Lens Frame is gasketed and seals to grid
- ♦ Louver and Lens are silicone sealed to Lens Frame
- ♦ Gasketed Access Plate (Optional Internal Junction Box)
- ♦ Parabolic Louver and clear Lens for glare free illumination
- ♦ Captive flat head Screws (6)
- ♦ Manufactured in accordance to NSF, FDA, USDA and Federal Standard 209D
- ♦ Suitable for Class 10 - Class 100,000 Cleanrooms

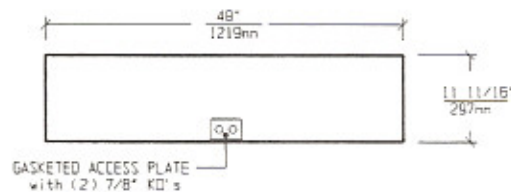
**CROSS SECTION**



**LENS FRAME DIMENSIONS**



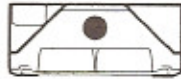
**TOP VIEW**



**SPECIFICATIONS**

<p><b>A. HOUSING</b> Die formed 20 gauge cold rolled steel Housing, with welded seams. Painted white.</p> <p><b>B. LENS FRAME</b> Die formed one piece 18 gauge cold rolled steel Lens Frame. Painted white.</p> <p><b>C. GASKET</b> Closed cell gaskets and silicone seal prevent air and contaminants from entering the room.</p> <p><b>D. SHIELDING</b> Aluminum parabolic louver 1 1/2" high with clear lens. (See Options for Louver and Lens selections).</p> <p><b>E. FASTENERS</b> Flush, captive stainless steel screws apply even pressure against Lens Frame.</p>	<p><b>F. HINGE</b> Two "shadow free" detachable chains for ease of installation and maintenance.</p> <p><b>G. BALLAST</b> HPF, Class P, Energy saving Ballast (See Voltage, Ballast Options).</p> <p><b>H. LAMPS</b> 32W T-8 or 40W T-12 Lamps. See Lamp Options. (Lamps by others).</p> <p><b>I. FINISH</b> Polyester Powder coat white finish with 92% reflectance.</p> <p><b>J. UL LISTED</b> Suitable for Wet Locations.</p>
--	--

**LAMP SELECTION**



LAMPS: (1) 32W T-8  
(1) 40W T-12



LAMPS: (2) 32W T-8  
(2) 40W T-12



LAMPS: (3) 32W T-8  
(3) 40W T-12

**ORDERING INFORMATION**

**CGK - 14 -**

No. of LAMPS	WATTAGE	VOLTAGE	BALLAST	LENS / LOUVER	OPTIONS
1=1 Lamp	32=32 Watts	120=120 Volts	EB=Electronic	LENS	TP=Tamperproof screws
2=2 Lamps	(T- 8)	277=277 Volts	Ballast	12CA=.125"Clear Acrylic	GF=GLR Fuse
3=3 Lamps	40=40 Watts	347=347 Volts	MB=Magnetic	15CA=.156"Clear Acrylic	NL=Night Light(PL-7or 9)
	(T-12)		Ballast	15CP=.156"Clear P/C	DB=Dimming Ballast
			EB2=(2) Electr.	UO = UV Absorbing	EM=Emergency Lighting
			Ballasts	Overlay	CW=Cold Weather
			EBH=<10% THD	LOUVER	Ballast
			El. Ballast	15AL=1 1/2"Hx3X3	RF=Radio Frequency
				Parabolic Al. Louver	Interference Filter
				5PL=1/2"Hx3/4X3/4	JB=Internal Junction Box
				Parabolic Louver	AHP=Aluminum Housing
				(Other Lens / Louver	Painted
				Options available. )	AFP=Aluminum Lens
					Frame, Painted
					AFA=Aluminum Lens
					Frame, Anodized
					SHP=Stainless Steel
					Housing, Painted
					SFP=Stainless Steel
					Lens Frame, Painted
					SFN=Stainless Steel
					Lens Frame, Natural

(More than one Option can be specified)

**EXAMPLE: CGK - 14 - 2 - 32 - 277 - EB - 12CA/15AL - GF - NL**

**DESCRIPTION:** CGK-14 = Series CGK, 1 foot by 4 feet nominal size  
 2 = 2 Lamps  
 32 = 32 Watts T-8 Lamps  
 277 = 277 Volt Operation  
 EB = Electronic Ballast  
 12CA/15AL= .125" Thick Clear Acrylic Lens with 1 1/2" high Parabolic Aluminum Louver  
 GF = GLR Fuse  
 NL = Night Light for PL - 7 or 9

FIXTURE TYPE		COMMENTS
CATALOG NUMBER	CGK-14-	
JOB NAME		
APPROVAL		
DATE		

Dimensions and Specifications subject to change without notice  
 Fixture guaranteed for one year against mechanical defects in manufacture.  
 2-97 CGK-14