

LIGHTING FOR COMPLEX ENVIRONMENTS

1' X 4'

APPLICATIONS

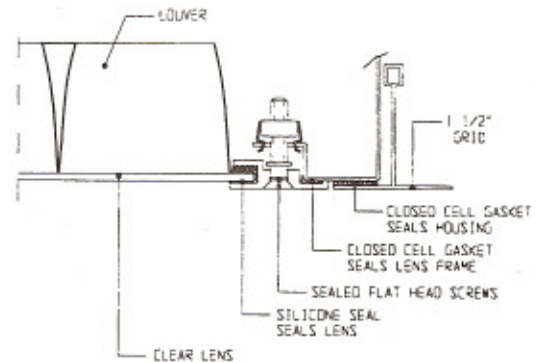
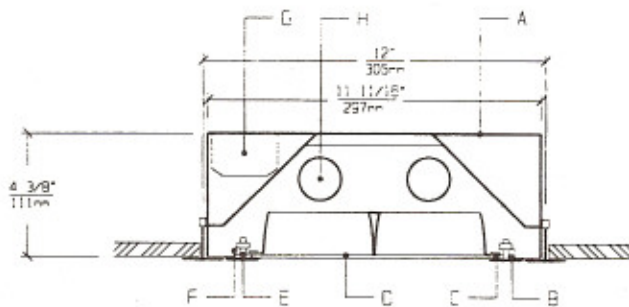
- Cleanrooms
- Food processing centers
- Hospitals
- Pharmaceutical and Biological labs
- Wet Locations

Totally sealed housings with Flush with Grid Lens Frames, silicone set lenses, sealed flat head screws, and glare free lighting make CGL Series ideally suited for CLEANROOM, Hospital, Food processing, and Scientific lab areas, where contamination free environment is a must.

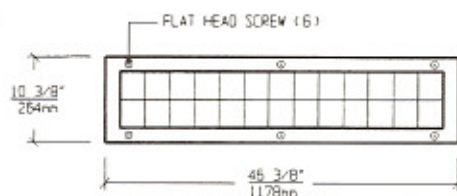
FEATURES

- ♦ Sealed, painted white, 20 gauge Housing seals to grid
- ♦ 1' X 4' nominal Housing size
- ♦ Same Housing fits 1", 1-1/2" and 2" standard T-grid ceiling
- ♦ Lens Frame is flush with T-Grid, and seals to Housing
- ♦ Louver and Lens are silicone sealed to Lens Frame
- ♦ Gasketed Access Plate (Optional Internal Junction Box)
- ♦ Parabolic Louver and clear Lens for glare free illumination
- ♦ Sealed, captive flat head Screws (6)
- ♦ Manufactured in accordance to NSF, FDA, USDA and Federal Standard 209D
- ♦ Suitable for Class 10 - Class 100,000 Cleanrooms

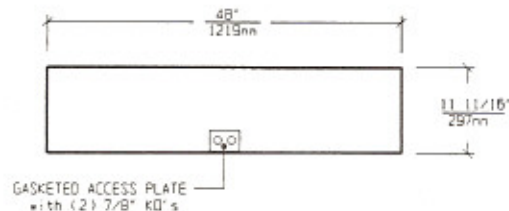
CROSS SECTION



LENS FRAME DIMENSIONS



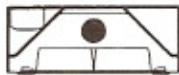
TOP VIEW



SPECIFICATIONS

<p>A. HOUSING Die formed 20 gauge cold rolled steel Housing, with welded seams. Painted white.</p> <p>B. LENS FRAME Heavy aluminum extrusion with sealed mitered corners. Painted white to match Grid.</p> <p>C. GASKET Closed cell gaskets and silicone seal prevent air and contaminants from entering the room.</p> <p>D. SHIELDING Aluminum Parabolic Louver protected by clear Lens. (See Options for Louver and Lens selections).</p> <p>E. FASTENERS Sealed, flush, captive stainless steel screws apply even pressure against Lens Frame.</p>	<p>F. HINGE Two "shadow free" detachable chains for ease of installation and maintenance.</p> <p>G. BALLAST HPF, Class P, Energy saving Ballast (See Voltage, Ballast Options).</p> <p>H. LAMPS 32W T-8 or 40W T-12 Lamps. See Lamps Options. (Lamps by others).</p> <p>I. FINISH Polyester Powder coat white finish with 92% reflectance.</p> <p>J. UL LISTED Suitable for Wet Locations.</p>
------------------------------------------------------------------------------------------------------------------------------------------------------------------------------------------------------------------------------------------------------------------------------------------------------------------------------------------------------------------------------------------------------------------------------------------------------------------------------------------------------------------------------------------------------------------------------------------	-----------------------------------------------------------------------------------------------------------------------------------------------------------------------------------------------------------------------------------------------------------------------------------------------------------------------------------------------------------------------------------------------------------------------------------

LAMP SELECTION



LAMPS: (1) 32W T-8
(1) 40W T-12



LAMPS: (2) 32W T-8
(2) 40W T-12



LAMPS: (3) 32W T-8
(3) 40W T-12

ORDERING INFORMATION

CGL - 14 -

No. of LAMPS	WATTAGE	VOLTAGE	BALLAST	LENS / LOUVER	OPTIONS
1=1 Lamp	32=32 Watts	120=120 Volts	EB=Electronic Ballast	LENS	TP=Tamperproof screws
2=2 Lamps	(T- 8)	277=277 Volts		12CA=.125"Clear Acrylic	GF=GLR Fuse
3=3 Lamps	40=40 Watts	347=347 Volts	MB=Magnetic Ballast	15CA=.156"Clear Acrylic	NL=Night Light(PL-7or 9)
	(T-12)			15CP=.156"Clear P/C	DB=Dimming Ballast
			EB2=(2) Electr. Ballasts	UO = UV Absorbing Overlay	EM=Emergency Lighting
			EBH=<10% THD El. Ballast	LOUVER	CW=Cold Weather Ballast
				15AL=1 1/2"Hx3X3 Parabolic Al. Louver	RF=Radio Frequency Interference Filter
				5PL=1/2"Hx3/4X3/4 Parabolic Louver	JB=Internal Junction Box
				(Other Lens / Louver Options available.)	AHP=Aluminum Housing Painted
					SHP=Stainless Steel Housing, Painted

(More than one Option can be specified)

EXAMPLE: CGL - 14 - 2 - 32 - 277 - EB - 12CA/15AL - GF - NL

DESCRIPTION: CGL - 14 = Series CGL, 1 foot by 4 feet nominal size
 2 = 2 Lamps
 32 = 32 Watts T-8 Lamps
 277 = 277 Volt Operation
 EB = Electronic Ballast
 12CA/15AL= .125" Thick Clear Acrylic Lens with 1 1/2" high Parabolic Aluminum Louver
 GF = GLR Fuse
 NL = Night Light for PL - 7 or 9

FIXTURE TYPE		COMMENTS
CATALOG NUMBER	CGL-14-	
JOB NAME		
APPROVAL		
DATE		

Dimensions and Specifications subject to change without notice
 Fixture guaranteed for one year against mechanical defects in manufacture.
 2-97 CGL-14