

**LIGHTING FOR COMPLEX ENVIRONMENTS**

**APPLICATIONS**

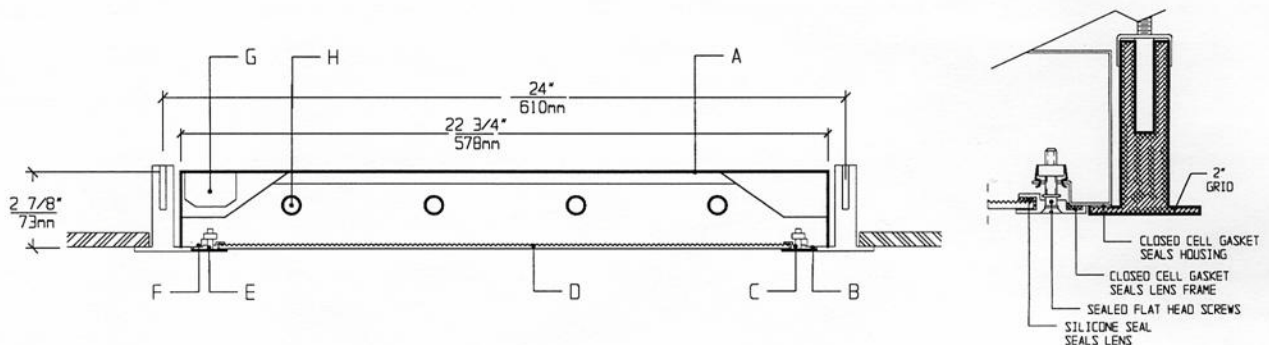
- Cleanrooms
- Food processing centers
- Hospitals
- Pharmaceutical and Biological labs
- Wet Locations

Specifically designed for use with 2 inch wide grid. Totally sealed shallow Housings with Flush with Grid Lens Frames, silicone set lenses, sealed flat head screws, and uniform lighting make CGM Series ideally suited for CLEANROOM, Hospital, Food processing, and Scientific lab areas, where contamination free environment is a must.

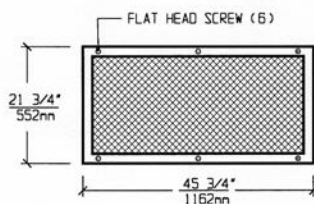
**FEATURES**

- Shallow sealed, painted white, 20ga. Housing seals to grid
- Only 2-7/8" high, shallow 2' x 4' Housing
- Housing fits most 2" T-grid ceiling
- Lens Frame is flush with T-Grid and seals to Housing
- Lens is silicone sealed to extruded Lens Frame
- Gasketed Access Plate
- Low brightness Lens installed smooth side to room
- Sealed, captive flat head Screws (6). (8 screws optional)
- Manufactured in accordance to NSF, FDA, USDA and Federal Standard 209D
- Suitable for Class 10 - Class 100,000 Cleanrooms
- IP-65 rated

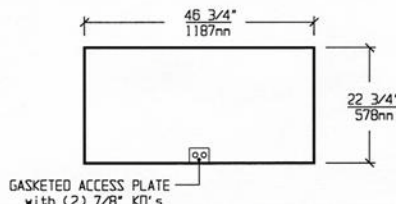
**CROSS SECTION**



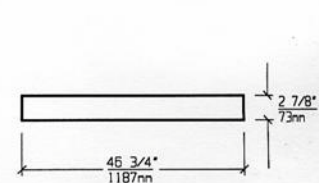
**LENS FRAME DIMENSIONS**



**TOP VIEW**



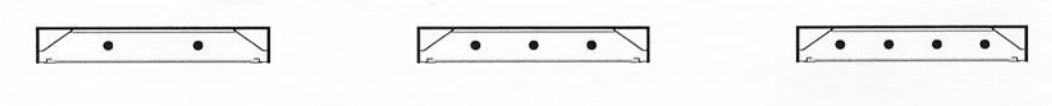
**SIDE VIEW**



**SPECIFICATIONS**

<p><b>A. HOUSING</b> Die formed 20 gauge cold rolled steel Housing, with welded seams. 2-7/8 in. high. Painted white.</p> <p><b>B. LENS FRAME</b> Heavy aluminum extrusion with sealed mitered corners. Painted white to match Grid.</p> <p><b>C. GASKET</b> Closed cell gaskets and silicone seal prevent air and contaminants from entering the room.</p> <p><b>D. LENS</b> Low brightness Lens with prisms up and smooth side to room for ease of cleaning. (See Options).</p> <p><b>E. FASTENERS</b> Sealed, flush, captive stainless steel screws apply even pressure against Lens Frame.</p>	<p><b>F. HINGE</b> Two "shadow free" detachable chains for ease of installation and maintenance.</p> <p><b>G. BALLAST</b> HPF, Class P, Energy saving Ballast. (See Voltage, Ballast Options).</p> <p><b>H. LAMPS</b> 28W T-5 or 54W T-5 HO Lamps. See Lamp Options. (Lamps by others).</p> <p><b>I. FINISH</b> Polyester Powder coat white finish with 92% reflectance.</p> <p><b>J. UL LISTED</b> Suitable for Wet Locations.</p>
--	---

**LAMP SELECTION**



LAMPS: (2) 28W T-5  
(2) 54W T-5 HO

LAMPS: (3) 28W T-5  
(3) 54W T-5 HO

LAMPS: (4) 28W T-5  
(4) 54W T-5 HO

**ORDERING INFORMATION**

**CGM-24 -**

No. of LAMPS	WATTAGE	VOLTAGE	BALLAST	LENS OPTION	OPTIONS
2=2 Lamps	28=28 Watts	120=120 Volts	EB=Electronic Ballast	12PA=.125" Prism. Acrylic	TP=Tamperproof Screws
3=3 Lamps	(T-5)	277=277 Volts		15PA=.156" Prism. Acrylic	GF=GLR Fuse
4=4 Lamps	54=54 Watts	347=347 Volts	EBH=<10% THD El. Ballast	15PG=.156" Prism. Glass	NL=Night Light(PL-7 or9)
	(T-5HO)		EB2=(2) Electr. Ballasts	15PP=.156" Prism. P/C	DB=Dimming Ballast
				(Other Lens Options available. Consult Factory)	EM=Emergency Lighting
					CW=Cold Weather Ballast
					RF=Radio Frequency Interference Filter
					8S=8 Screws
					AHP=Aluminum Housing Painted
					SHP=Stainless Steel Housing, Painted
					SG=Special Grid Housing (Specify Grid)
					(More than one Option can be specified)

**EXAMPLE: CGM - 24 - 4 - 28 - 277 - EB - 12PA - GF - NL**

**DESCRIPTION:** **CGM - 24** = Series CGM, 2 feet by 4 feet nominal size  
**4** = 4 Lamps  
**28** = 28 Watts T-5 Lamps  
**277** = 277 Volt Operation  
**EB** = Electronic Ballast  
**12PA** = .125" Thick Prismatic Acrylic  
**GF** = GLR Fuse  
**NL** = Night Light for PL-7 or 9

FIXTURE TYPE		COMMENTS
CATALOG NUMBER	CGM-24-	
JOB NAME		
APPROVAL		
DATE		