

**LIGHTING FOR COMPLEX ENVIRONMENTS**

**4 ft. long**

**APPLICATIONS**

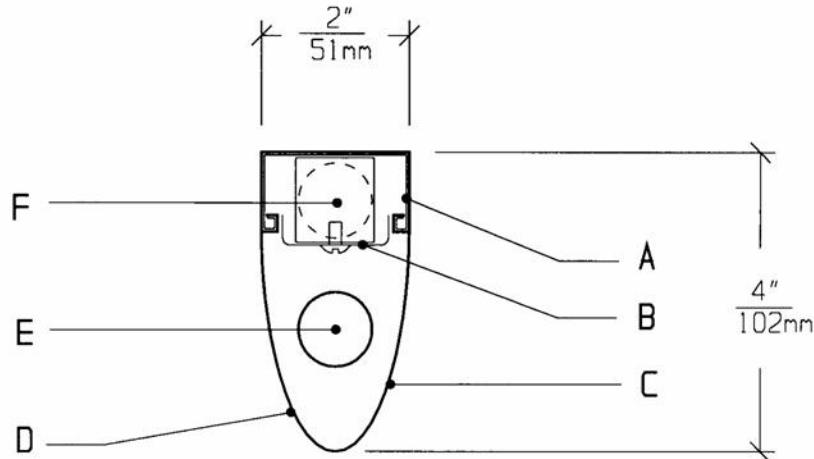
- Cleanrooms
- Electronics labs
- Hospitals
- Pharmaceutical labs
- Biological labs

Aerodynamically shaped Housings, which will not cause turbulence in laminar flow rooms, smooth outside surface, and row mounting make CLL Series ideally suited for CLEANROOM, Hospital, and Scientific lab areas, where contamination free environment is a must.

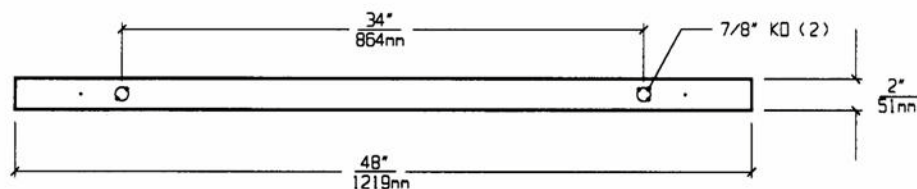
**FEATURES**

- Only 4 in. high, aerodynamically shaped 20 gauge sealed Housing ideally suited for Laminar Flow rooms
- Works with 1", 1 1/2" and 2" inverted "T" ceiling grid
- 4 ft. fixture length matches nominal grid length
- Can be mounted in continuous rows
- Gasketed Lens with internal prisms and smooth outer surface
- Removable reflector for easy maintenance
- Suitable for Class 10 - Class 100,000 Cleanrooms
- Manufactured in accordance to NSF, FDA, USDA and Federal Standard 209E

**CROSS SECTION**



**TOP VIEW**



**SPECIFICATIONS**

<b>A. HOUSING</b>	Die formed 20 gauge cold rolled steel Housing, with welded seams and End Caps.	<b>E. LAMPS</b>	32W T-8 Lamps. (Lamps by others).
<b>B. REFLECTOR</b>	Die formed one piece 18 gauge cold rolled steel painted white. Easily removable for maintenance.	<b>F. BALLAST</b>	HPF, Class P, Energy saving Ballast. (See Voltage, Ballast Options).
<b>C. GASKET</b>	Closed cell gaskets prevent air and contaminants from entering the room.	<b>G. FINISH</b>	Polyester Powder coat white finish with 92% reflectance.
<b>D. LENS</b>	Low brightness Lens with prisms up and smooth side to room for ease of cleaning. (See Options).	<b>H. UL LISTED</b>	Suitable for Wet Locations.

**LAMP SELECTION**



LAMPS: (1) 32W T-8

**ORDERING INFORMATION**

**CLL-4 -**

WATTAGE	VOLTAGE	BALLAST	LENS OPTION	OPTIONS
32=32 Watts (T-8)	120=120 Volts 277=277 Volts 347=347 Volts	EB=Electronic Ballast EBH=<10% THD El. Ballast	CL=Clear Lens, Prismatic Acrylic OL=Opal Acrylic Lens  (Other Lens Options available. Consult Factory)	EM=Emergency Lighting GF=GLR Fuse DB=Dimming Ballast UV=Ultra Violet Yellow Lens RF=Radio Frequency Interference Filter AHP=Aluminum Housing Painted SHP=Stainless Steel Housing, Painted

(More than one Option  
can be specified)

**EXAMPLE: CLL - 4 - 32 - 277 - EB - CL - GF**

**DESCRIPTION:** CLL - 4 = Series CLL, 4 feet nominal length  
 32 = (1) 32 Watts T-8 Lamp  
 277 = 277 Volt Operation  
 EB = Electronic Ballast  
 CL = Clear Prismatic Acrylic Lens  
 GF = GLR Fuse

FIXTURE TYPE		COMMENTS
CATALOG NUMBER	CLL-4-	
JOB NAME		
APPROVAL		
DATE		