

**LIGHTING FOR COMPLEX ENVIRONMENTS**

**2' X 2'**

**APPLICATIONS**

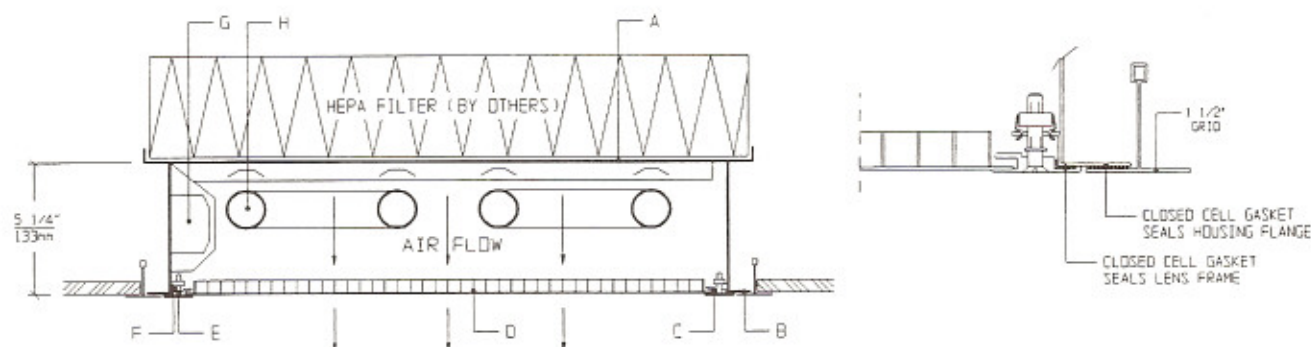
- Cleanrooms
- Electronics labs
- Hospitals
- Pharmaceutical labs
- Biological labs

Open top recessed housings for use with HEPA filters, box cell louver for reduced glare, and unobstructed air flow through the fixture make CLO Series ideally suited for CLEANROOM, Hospital, and Scientific lab areas, where contamination free environment is a must.

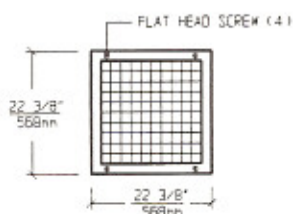
**FEATURES**

- ♦ 2' X 2' Open top, painted white Housing, seals to grid
- ♦ Suitable for Class 10 - Class 100,000 Cleanrooms
- ♦ Same Housing fits 1", 1-1/2" and 2" standard T-grid ceiling
- ♦ Lens Frame is flush with T Grid and seals to Housing
- ♦ Box Cell Louver standard
- ♦ Gasketed Access Plate
- ♦ Housing accepts standard 2' X 2' HEPA air filter
- ♦ Captive flat head Screws (4)
- ♦ Manufactured in accordance to NSF, FDA, USDA and Federal Standard 209D
- ♦ Optional Lamp Reflectors

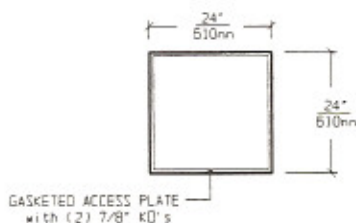
**CROSS SECTION**



**LENS FRAME DIMENSIONS**



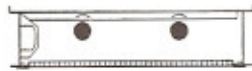
**TOP VIEW**



**SPECIFICATIONS**

<p><b>A. HOUSING</b> Die formed 20 gauge cold rolled steel Housing, with welded seams. Painted white.</p>	<p><b>F. HINGE</b> Two "shadow free" detachable chains for ease of installation and maintenance.</p>
<p><b>B. GASKET</b> Closed cell gaskets and silicone seal prevent air and contaminants from entering the room.</p>	<p><b>G. BALLAST</b> HPF, Class P, Energy saving Ballast (See Voltage, Ballast Options).</p>
<p><b>C. FRAME</b> Heavy aluminum extrusion with sealed mitered corners. Painted white to match Grid.</p>	<p><b>H. LAMPS</b> 17W T-8, 20W T-12 or 40W U Lamps. See Lamp Options. (Lamps by others).</p>
<p><b>D. SHIELDING</b> White Box Cell Louver 1/2" high standard. (See Options for other Louver selections).</p>	<p><b>I. FINISH</b> Polyester Powder coat white finish with 92% reflectance.</p>
<p><b>E. FASTENERS</b> Flush, captive stainless steel screws apply even pressure against Louver Frame.</p>	<p><b>J. UL LISTED</b> Suitable for Damp Locations.</p>

**LAMP SELECTION**



LAMPS: (2) 17W T-8  
(2) 20W T-12



LAMPS: (3) 17W T-8  
(3) 20W T-12



LAMPS: (4) 17W T-8  
(4) 20W T-12



LAMPS: (2) 40W U (6")

**ORDERING INFORMATION**

**CLO - 22 -**

No. of LAMPS	WATTAGE	VOLTAGE	BALLAST	LOUVER	OPTIONS
2=2 Lamps (All)	17=17 Watts (T- 8)	120=120 Volts 277=277 Volts	EB=Electronic Ballast	5CL=.500" Box Cell White Acrylic	TP=Tamperproof screws GF=GLR Fuse
3=3 Lamps (T only)	20=20 Watts (T-12)	347=347 Volts	MB=Magnetic Ballast	5PL=.500" Parabolic Louver	LR=Lamp Reflectors DB=Dimming Ballast
4=4 Lamps (T only)	40U=40 Watts U (6" spacing)		EB2=(2) Electr. Ballasts EBH=<10% THD El. Ballast	(Other Louver Options available.)	EM=Emergency Lighting CW=Cold Weather Ballast AHP=Aluminum Housing Painted SHP=Stainless Steel Housing, Painted RF=Radio Frequency Interference Filter

(More than one Option can be specified)

**EXAMPLE: CLO - 22 - 2 - 40U - 277 - EB - 5CL - GF - LR**

- DESCRIPTION:**
- CLO - 22 = Series CLO, 2 feet by 2 feet nominal size
  - 2 = 2 Lamps
  - 40U = 40 Watts U Lamps (6" spacing)
  - 277 = 277 Volt Operation
  - EB = Electronic Ballast
  - 5CL = .500" Thick White Acrylic Box Cell Louver
  - GF = GLR Fuse
  - LR = Lamp Reflectors

FIXTURE TYPE		COMMENTS
CATALOG NUMBER	CLO-22-	
JOB NAME		
APPROVAL		
DATE		

Dimensions and Specifications subject to change without notice  
 Fixture guaranteed for one year against mechanical defects in manufacture.  
 2-97 CLO-22