

SEALED AND GASKETED

CLEANROOM
SURFACE MOUNT
NO VISIBLE HARDWARE LENS FRAME
FLUORESCENT TROFFER

LIGHTING FOR COMPLEX ENVIRONMENTS

2' X 2'

APPLICATIONS

- Cleanrooms
- Food processing centers
- Hospitals
- Pharmaceutical and Biological labs
- Wet Locations

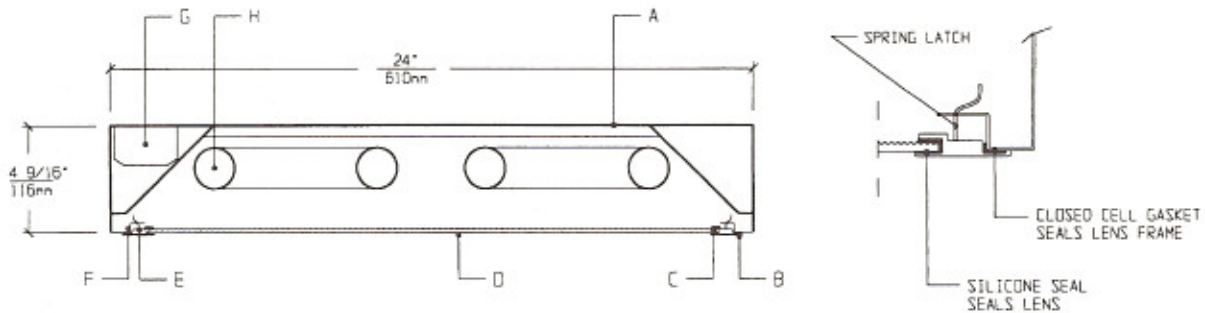
Totally sealed housings with "Clean Look" Lens Frames with no visible hardware, silicone set lenses, and uniform lighting make CSC Series ideally suited for CLEANROOM, Hospital, Food processing, and Scientific lab areas, where contamination free environment is a must.

Hassle-free, no tools required maintenance.

FEATURES

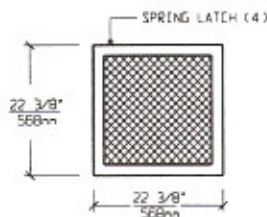
- ♦ "Clean Look" Lens Frame with no visible hardware
- ♦ No tools required to open Lens Frame for relamping
- ♦ Extruded Lens Frame is gasketed and seals to Housing
- ♦ (4) gasketed mounting holes
- ♦ Gasketed Access Plate (Optional Internal Junction Box)
- ♦ Low profile, sealed, painted white, 20 gauge Housing
- ♦ Lens is silicone sealed to extruded Lens Frame
- ♦ 2' X 2' nominal Housing size
- ♦ Low brightness Lens installed smooth side to room
- ♦ Manufactured in accordance to NSF, FDA, USDA and Federal Standard 209D
- ♦ Suitable for Class 10 - Class 100,000 Cleanrooms

CROSS SECTION

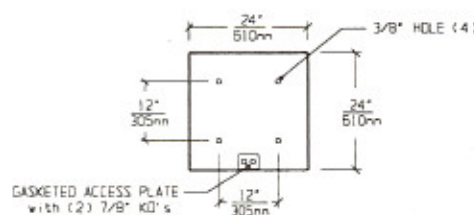


Patent Pending

LENS FRAME DIMENSIONS



TOP VIEW



SPECIFICATIONS

<p>A. HOUSING Die formed 20 gauge cold rolled steel Housing, with welded seams. Painted white.</p> <p>B. LENS FRAME Heavy aluminum extrusion with sealed mitered corners. Painted white.</p> <p>C. GASKET Closed cell gaskets and silicone seal prevent air and contaminants from entering the room.</p> <p>D. LENS Low brightness Lens with prisms up and smooth side to room for ease of cleaning. (See Options).</p> <p>E. LATCHING Two Latches allow to open Lens Frame without use of tools.</p>	<p>F. HINGE Two detachable Hinges for ease of installation and maintenance.</p> <p>G. BALLAST HPF, Class P, Energy saving Ballast. (See Voltage, Ballast Options).</p> <p>H. LAMPS 17W T-8, 20W T-12, 40W Biax or 40W U- Lamps. See Lamp Options. (Lamps by others).</p> <p>I. FINISH Polyester Powder coat white finish with 92% reflectance.</p> <p>J. U.L. LISTED Suitable for Wet Locations.</p>
------------------------------------------------------------------------------------------------------------------------------------------------------------------------------------------------------------------------------------------------------------------------------------------------------------------------------------------------------------------------------------------------------------------------------------------------------------------------------------------------------------------------------------------	-----------------------------------------------------------------------------------------------------------------------------------------------------------------------------------------------------------------------------------------------------------------------------------------------------------------------------------------------------------------------------------------------------------------------------------------

LAMP SELECTION



LAMPS: (2) 17W T-8
(2) 20W T-12



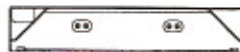
LAMPS: (3) 17W T-8
(3) 20W T-12



LAMPS: (4) 17W T-8
(4) 20W T-12



LAMPS: (2) 40W U (6")



LAMPS: (2) 40W BIAX



LAMPS: (3) 40W BIAX

ORDERING INFORMATION

CSC - 22 -

No. of LAMPS	WATTAGE	VOLTAGE	BALLAST	LENS OPTION	OPTIONS
2=2 Lamps (All)	17=17 Watts (T- 8)	120=120 Volts 277=277 Volts	EB=Electronic Ballast	12PA=.125"Prism. Acrylic 15PA=.156"Prism. Acrylic	JB=Internal Junction Box GF=GLR Fuse
3=3 Lamps (Except U)	20=20 Watts (T-12)	347=347 Volts	MB=Magnetic Ballast	15PG=.156"Prism. Glass 15PP=.156"Prism. P/C	NL=Night Light(PL-7or 9) DB=Dimming Ballast
4=4 Lamps (Except U and Biax)	40U=40 Watts U (6" spacing) 40BX=40 Watts Biax Twin Tube		EB2=(2) Electr. Ballasts EBH=<10% THD El. Ballast	UO = UV Absorbing Overlay (Other Lens Options available. Consult Factory)	EM=Emergency Lighting CW=Cold Weather Ballast RF=Radio Frequency Interference Filter AHP=Aluminum Housing Painted SHP=Stainless Steel Housing, Painted

(More than one Option
can be specified)

Patent Pending

EXAMPLE: CSC - 22 - 2 - 40U - 277 - EB - 12PA - GF - NL

DESCRIPTION: CSC-22 = Series CSC, 2 feet by 2 feet nominal size
 2 = 2 Lamps
 40U = 40 Watts U Lamps
 277 = 277 Volt Operation
 EB = Electronic Ballast
 12PA = .125" Thick Prismatic Acrylic
 GF = GLR Fuse
 NL = Night Light for PL - 7 or 9

FIXTURE TYPE		COMMENTS
CATALOG NUMBER	CSC-22-	
JOB NAME		
APPROVAL		
DATE		

Dimensions and Specifications subject to change without notice
 Fixture guaranteed for one year against mechanical defects in manufacture.
 Copyright 2-97 CSC-22