

**LIGHTING FOR COMPLEX ENVIRONMENTS**

**APPLICATIONS**

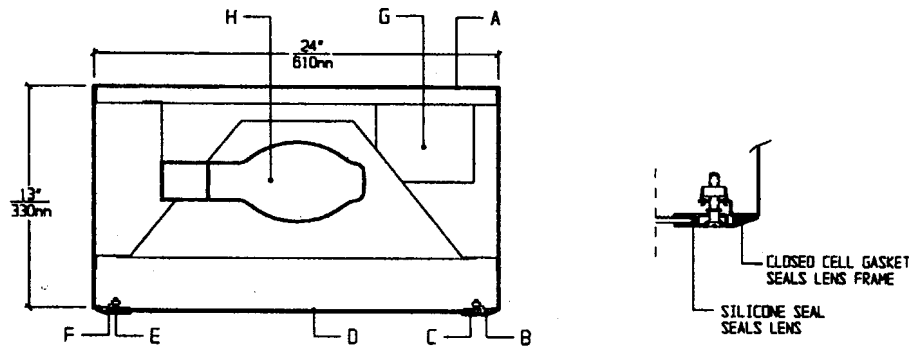
- Cleanrooms
- Food processing centers
- Hospitals
- Pharmaceutical and Biological labs
- Wet Locations

Totally sealed Housings with sealed overlap Lens Frames, silicone set lenses, captive flat head screws, and uniform lighting make CSH Series ideally suited for CLEANROOM, Hospital, Food processing, and Scientific lab areas, where contamination free environment is a must.

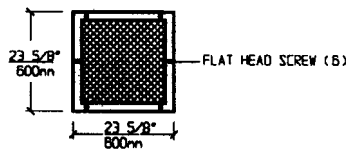
**FEATURES**

- 24" X 24" sealed, painted white Housing
- Suitable for high pressure hosedown
- Overlap Lens Frame is gasketed and seals to Housing
- Lens is silicone sealed to Frame
- Low brightness Lens installed smooth side to room
- Removable Reflector
- Manufactured in accordance to NSF, FDA, USDA and Federal Standard 209D
- Suitable for Class 10—Class 100,000 Cleanrooms
- Captive flat head screws (6)

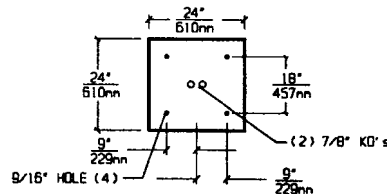
**CROSS SECTION**



**LENS FRAME DIMENSIONS**



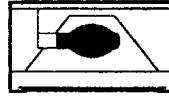
**TOP VIEW**



**SPECIFICATIONS**

<b>A. HOUSING</b>	Die formed 20 gauge cold rolled steel Housing, with welded seams. Painted white.	<b>F. HINGE</b>	Two "shadow free" detachable chains for ease of installation and maintenance.
<b>B. LENS FRAME</b>	Die formed one piece 18 gauge cold rolled steel Lens Frame. Painted white.	<b>G. BALLAST</b>	HPF, core and coil Ballast (See Voltage, Ballast Options).
<b>C. GASKET</b>	Closed cell gaskets and silicone seal prevent air and contaminants from entering the room.	<b>H. LAMPS</b>	Up to 400 W HPS, Metal Halide or Mercury Vapor Lamps. See Lamp Options (Lamps by others).
<b>D. LENS</b>	Low brightness Lens with prisms up and smooth side to room for ease of cleaning. (See Options).	<b>I. FINISH</b>	Polyester Powder coat bronze Hosing. Reflector finish with 92% reflectance.
<b>E. FASTENERS</b>	Flush, captive stainless steel screws apply even pressure against Lens Frame.	<b>J. UL LISTED</b>	Suitable for Wet Locations.

**LAMP SELECTION**



LAMPS: (I) up to 400W HPS, Metal Halide or Mercury Vapor

**ORDERING INFORMATION**

**CSH-24 -**

WATTAGE	LAMP TYPE	VOLTAGE	LENS OPTION	OPTIONS
100=100 Watts	M=Metal Halide	120=120 Volts	15PG=.156" Prism. Glass	TP=Tamperproof Screws
150=150 Watts	S=High Pressure	208=208 Volts	15PC=.156" Prism. P/C	GF=GLR Fuse
175=175 Watts	Sodium	240=240 Volts	15CP=.156" Clear P/C	QS=Quartz Socket
200=200 Watts	MV=Mercury Vapor	277=277 Volts		QR=Quartz Restrike System
250=250 Watts		347=347 Volts		
400=400 Watts				

(More than one Option can be specified)

**EXAMPLE: CSH - 24 - 250 - M - 277 - 15PG - GF - TP**

**DESCRIPTION:** CSH - 24 = Series CSH, 24 X 24 inches nominal size  
 250 = 250 Watts  
 M = Metal Halide lamp  
 277 = 277 Volt Operation  
 15PG = .156" Thick Prismatic Glass  
 GF = GLR Fuse  
 TP = Tamperproof Screws

FIXTURE TYPE		COMMENTS
CATALOG NUMBER	CSH-24-	
JOB NAME		
APPROVAL		
DATE		

Dimensions and Specifications subject to change without notice  
 Fixture guaranteed for one year against mechanical defects in manufacture.  
 Copyright 2-99 CSH-24