

**LIGHTING FOR COMPLEX ENVIRONMENTS**

**2' X 2'**

**APPLICATIONS**

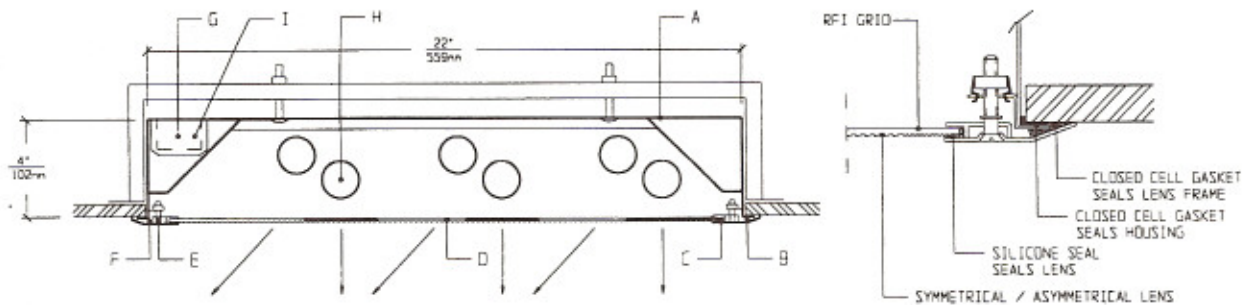
- Hospital Surgical Suites
- Cleanrooms
- Patient Rooms
- Pharmaceutical and Biological labs
- Wall Washing

Totally sealed housings with Silver RFI Grid Lenses, Radio Frequency Interference filters, and Symmetric / Asymmetric light distribution, make SFA Series ideally suited for Hospital SURGICAL SUITES, where shadow-free supplemental lighting and contamination free environment are a must.

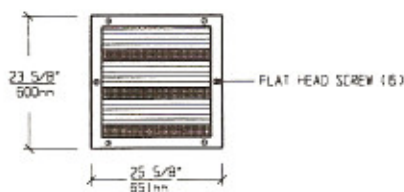
**FEATURES**

- ♦ Symmetrical / Asymmetrical Lens with Silver RFI grid
- ♦ Standard RFI filters eliminate conducted RF interference
- ♦ Welded Housing minimizes leakage of radiated RF waves
- ♦ Overlap, one piece Lens Frame is grounded to housing
- ♦ Complies with MIL Standard 461A
- ♦ Totally sealed Housing for clean surgical environment
- ♦ Suitable for high pressure Hosedown
- ♦ Gasketed Access Plate (Optional Internal Junction Box)
- ♦ Lens is silicone sealed to Lens Frame
- ♦ Manufactured in accordance to NSF, FDA, USDA and Federal Standard 209D
- ♦ Suitable for Class 10 - Class 100,000 Cleanrooms

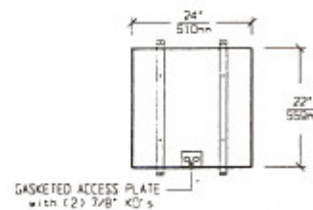
**CROSS SECTION**



**LENS FRAME DIMENSIONS**



**TOP VIEW**



**SPECIFICATIONS**

<p><b>A. HOUSING</b> Die formed 20 gauge cold rolled steel Housing, with welded seams. Polyester Powder coat white finish.</p> <p><b>B. LENS FRAME</b> Die formed one piece 18 gauge cold rolled steel Lens Frame. Polyester Powder coat white finish.</p> <p><b>C. GASKET</b> Closed cell gaskets and silicone seal prevent air and contaminants from entering the room.</p> <p><b>D. LENS</b> Symmetric / Asymmetric Lens with RFI grid provides supplemental lighting and blocks radiated RF waves.</p> <p><b>E. FASTENERS</b> Flush, captive stainless steel screws apply even pressure against Lens Frame.</p>	<p><b>F. HINGE</b> Two "shadow free" detachable chains for ease of installation and maintenance.</p> <p><b>G. BALLAST</b> HPF, Class P, Energy saving (See Voltage, Ballast Options).</p> <p><b>H. LAMPS</b> 17W T-8 or 20W T-12 Lamps. See Lamp Options. (Lamps by others).</p> <p><b>I. FILTER</b> RFI suppressor eliminates RFI from line feedback and power supply. One Filter standard. (See Options).</p> <p><b>J. U.L. LISTED</b> Suitable for Wet Locations.</p>
---	--

LAMP SELECTION



LAMPS: (3) 17W T-8  
(3) 20W T-12



LAMPS: (6) 17W T-8  
(6) 20W T-12

ORDERING INFORMATION

SFA - 22 -

No. of LAMPS	WATTAGE	VOLTAGE	BALLAST	S / A LENS OPTION	OPTIONS
3=3 Lamps	17=17 Watts	120=120 Volts	EB=Electronic	S/A=Sym / Asym. Acrylic	TP=Tamperproof screws
6=6 Lamps	(T- 8)	277=277 Volts	Ballast	UO =UV Absorbing	GF=GLR Fuse
	20=20 Watts	347=347 Volts	MB=Magnetic	Overlay	NL=Night Light(PL-7or 9)
	(T-12)		Ballast		DB=Dimming Ballast
			EB3=(3) Electr.		EM=Emergency Lighting
			Ballasts		CW=Cold Weather
			EBH=<10% THD		Ballast
			El. Ballast	(Other Lens Options	RF2=2 RFI Filters
				available. Consult Factory)	JB=Internal Junction Box

(More than one Option  
can be specified)

EXAMPLE: SFA - 22 - 6 - 17 - 277 - EB - S / A - GF - NL

- DESCRIPTION:
- SFA-22 = Series SFA, 2 feet by 2 feet nominal size
  - 6 = 6 Lamps
  - 17 = 17 Watts T-8 Lamps
  - 277 = 277 Volt Operation
  - EB = Electronic Ballast
  - S / A = .150"Thick Symmetrical / Asymmetrical Lens
  - GF = GLR Fuse
  - NL = Night Light for PL - 7 or 9

FIXTURE TYPE		COMMENTS
CATALOG NUMBER	SFA-22-	
JOB NAME		
APPROVAL		
DATE		

Dimensions and Specifications subject to change without notice  
 Fixture guaranteed for one year against mechanical defects in manufacture.  
 2 - 97 SFA-22