

LIGHTING FOR COMPLEX ENVIRONMENTS

2' X 4'

APPLICATIONS

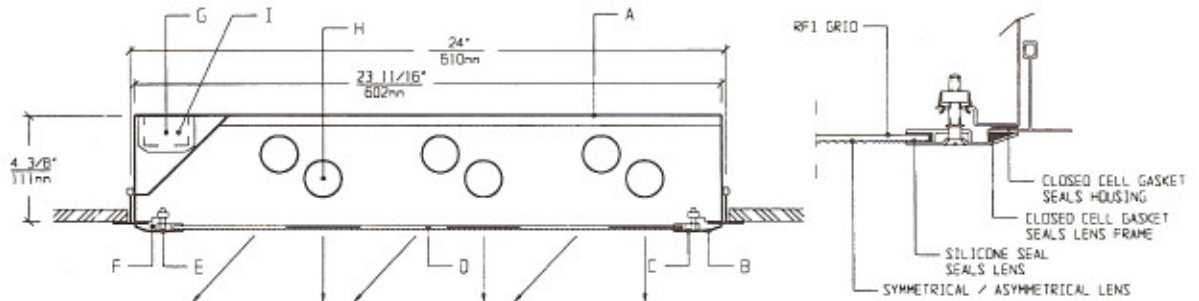
- Hospital Surgical Suites
- Cleanrooms
- Patient Rooms
- Pharmaceutical and Biological labs
- Wall Washing

Totally sealed housings with Silver RFI Grid Lenses, Radio Frequency Interference filters, and Symmetric / Asymmetric light distribution, make SGA Series ideally suited for Hospital SURGICAL SUITES, where shadow-free supplemental lighting and contamination free environment are a must.

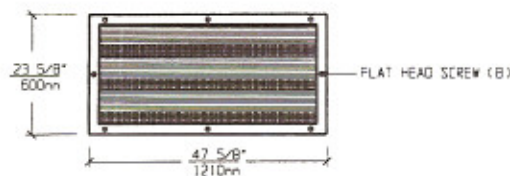
FEATURES

- ♦ Symmetrical / Asymmetrical Lens with Silver RFI grid
- ♦ Standard RFI filters eliminate conducted RF interference
- ♦ Welded Housing minimizes leakage of radiated RF waves
- ♦ Overlap, one piece Lens Frame is grounded to housing
- ♦ Complies with MIL Standard 461A
- ♦ Same Housing fits 1", 1-1/2" and 2" standard T-grid ceiling
- ♦ Suitable for high pressure Hosedown
- ♦ Gasketed Access Plate (Optional Internal Junction Box)
- ♦ Lens is silicone sealed to Lens Frame
- ♦ Manufactured in accordance to NSF, FDA, USDA and Federal Standard 209D
- ♦ Suitable for Class 10 - Class 100,000 Cleanrooms

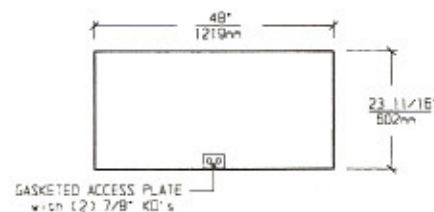
CROSS SECTION



LENS FRAME DIMENSIONS



TOP VIEW



SPECIFICATIONS

<p>A. HOUSING Die formed 20 gauge cold rolled steel Housing, with welded seams. Polyester Powder coat white finish.</p> <p>B. LENS FRAME Die formed one piece 18 gauge cold rolled steel Lens Frame. Polyester Powder coat white finish.</p> <p>C. GASKET Closed cell gaskets and silicone seal prevent air and contaminants from entering the room.</p> <p>D. LENS Symmetric / Asymmetric Lens with RFI grid provides supplemental lighting and blocks radiated RF waves.</p> <p>E. FASTENERS Flush, captive stainless steel screws apply even pressure against Lens Frame.</p>	<p>F. HINGE Two "shadow free" detachable chains for ease of installation and maintenance.</p> <p>G. BALLAST HPF, Class P, Energy saving (See Voltage, Ballast Options).</p> <p>H. LAMPS 32W T-8 or 40W T-12 Lamps. See Lamp Options. (Lamps by others).</p> <p>I. FILTER RFI suppressor eliminates RFI from line feedback and power supply. One Filter standard. (See Options).</p> <p>J. U.L. LISTED Suitable for Wet Locations.</p>
---	--

LAMP SELECTION



LAMPS: (3) 32W T-8
(3) 40W T-12



LAMPS: (6) 32W T-8
(6) 40W T-12

ORDERING INFORMATION

SGA - 24 -

No. of LAMPS	WATTAGE	VOLTAGE	BALLAST	S / A LENS OPTION	OPTIONS
3=3 Lamps	32=32 Watts	120=120 Volts	EB=Electronic	S/A=Sym / Asym. Acrylic	TP=Tamperproof screws
6=6 Lamps	(T- 8)	277=277 Volts	Ballast	UO =UV Absorbing	GF=GLR Fuse
	40=40 Watts	347=347 Volts	MB=Magnetic	Overlay	NL=Night Light(PL-7or 9)
	(T-12)		Ballast		DB=Dimming Ballast
			EB3=(3) Electr.		EM=Emergency Lighting
			Ballasts		CW=Cold Weather
			EBH=<10% THD		Ballast
			El. Ballast	(Other Lens Options	RF2=2 RFI Filters
				available. Consult Factory)	JB=Internal Junction Box

(More than one Option
can be specified)

EXAMPLE: SGA - 24 - 6 - 32 - 277 - EB - S / A - GF - NL

DESCRIPTION: SGA-24 = Series SGA, 2 feet by 4 feet nominal size
 6 = 6 Lamps
 32 = 32 Watts T-8 Lamps
 277 = 277 Volt Operation
 EB = Electronic Ballast
 S / A = .150"Thick Symmetrical / Asymmetrical Lens
 GF = GLR Fuse
 NL = Night Light for PL - 7 or 9

FIXTURE TYPE		COMMENTS
CATALOG NUMBER	SGA-24-	
JOB NAME		
APPROVAL		
DATE		

Dimensions and Specifications subject to change without notice
 Fixture guaranteed for one year against mechanical defects in manufacture.
 2 - 97 SGA-24