

**LIGHTING FOR COMPLEX ENVIRONMENTS**

**1' X 4'**

**APPLICATIONS**

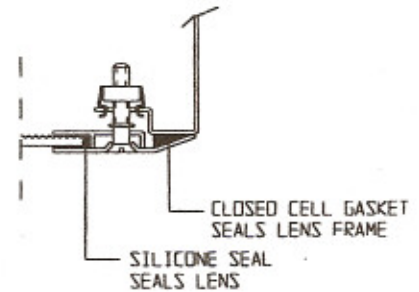
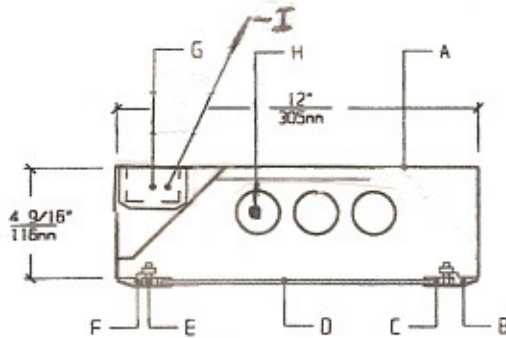
- Hospital Surgical Suites
- Cleanrooms
- Patient Rooms
- Pharmaceutical and Biological labs
- Wall Washing

Totally sealed housings with Silver RFI Grid Lenses, Radio Frequency Interference filters, and Symmetric / Asymmetric light distribution, make SFA Series ideally suited for Hospital SURGICAL SUITES, where shadow-free supplemental lighting and contamination free environment are a must.

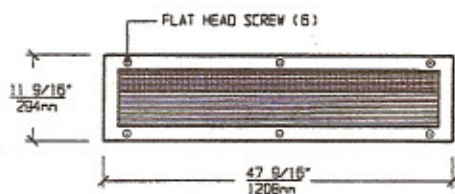
**FEATURES**

- ♦ Symmetrical / Asymmetrical Lens with Silver RFI grid
- ♦ Standard RFI filters eliminate conducted RF interference
- ♦ Welded Housing minimizes leakage of radiated RF waves
- ♦ Overlap, one piece Lens Frame is grounded to housing
- ♦ Complies with MIL Standard 461A
- ♦ Totally sealed Housing for clean surgical environment
- ♦ Suitable for high pressure Hosedown
- ♦ Gasketed Access Plate (Optional Internal Junction Box)
- ♦ Lens is silicone sealed to Lens Frame
- ♦ Manufactured in accordance to NSF, FDA, USDA and Federal Standard 209D
- ♦ Suitable for Class 10 - Class 100,000 Cleanrooms

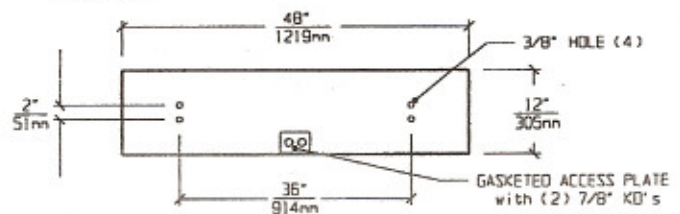
**CROSS SECTION**



**LENS FRAME DIMENSIONS**



**TOP VIEW**



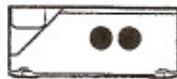
**SPECIFICATIONS**

<p><b>A. HOUSING</b> Die formed 20 gauge cold rolled steel Housing, with welded seams. Polyester Powder coat white finish.</p> <p><b>B. LENS FRAME</b> Die formed one piece 18 gauge cold rolled steel Lens Frame. Polyester Powder coat white finish.</p> <p><b>C. GASKET</b> Closed cell gaskets and silicone seal prevent air and contaminants from entering the room.</p> <p><b>D. LENS</b> Symmetric / Asymmetric Lens with optional RFI grid blocks radiated RF waves. (See Options).</p> <p><b>E. FASTENERS</b> Flush, captive stainless steel screws apply even pressure against Lens Frame.</p>	<p><b>F. HINGE</b> Two "shadow free" detachable chains for ease of installation and maintenance.</p> <p><b>G. BALLAST</b> HPF, Class P, Energy saving (See Voltage, Ballast Options).</p> <p><b>H. LAMPS</b> 32W T-8 or 40W T-12 Lamps. See Lamp Options. (Lamps by others).</p> <p><b>I. FILTER</b> RFI suppressor eliminates RFI from line feedback and power supply. One Filter standard. (See Options).</p> <p><b>J. U.L. LISTED</b> Suitable for Wet Locations.</p>
--	--

**LAMP SELECTION**



LAMPS: (1) 32W T-8  
(1) 40W T-12



LAMPS: (2) 32W T-8  
(2) 40W T-12



LAMPS: (3) 32W T-8  
(3) 40W T-12

**ORDERING INFORMATION**

**SSA - 14 -**

No. of LAMPS	WATTAGE	VOLTAGE	BALLAST	S / A LENS OPTION	OPTIONS
1=1 Lamp	32=32 Watts	120=120 Volts	EB=Electronic	S/A=Sym / Asym. Acrylic	TP=Tamperproof screws
2=2 Lamps	(T- 8)	277=277 Volts	Ballast	U0 =UV Absorbing	GF=GLR Fuse
3=3 Lamps	40=40 Watts	347=347 Volts	MB=Magnetic	Overlay	NL=Night Light(PL-7or 9)
	(T-12)		Ballast		DB=Dimming Ballast
			EB2=(2) Electr.		EM=Emergency Lighting
			Ballasts		CW=Cold Weather
			EBH=<10% THD		Ballast
			El. Ballast	(Other Lens Options available. Consult Factory)	RG=RFI Silver Grid
					RF2=2 RFI Filters
					JB=Internal Junction Box

(More than one Option  
can be specified)

**EXAMPLE: SSA - 14 - 3 - 32 - 277 - EB - S / A - RG - NL**

- DESCRIPTION:**
- SSA-14 = Series SSA, 1 foot by 4 feet nominal size
  - 3 = 3 Lamps
  - 32 = 32 Watts T-8 Lamps
  - 277 = 277 Volt Operation
  - EB = Electronic Ballast
  - S / A = .150" Thick Symmetrical / Asymmetrical Lens
  - RG = RFI Silver Grid
  - NL = Night Light for PL - 7 or 9

FIXTURE TYPE		COMMENTS
CATALOG NUMBER	SSA-14-	
JOB NAME		
APPROVAL		
DATE		

Dimensions and Specifications subject to change without notice  
 Fixture guaranteed for one year against mechanical defects in manufacture.  
 2 - 97 SGA-14