

**LIGHTING FOR COMPLEX ENVIRONMENTS**

**APPLICATIONS**

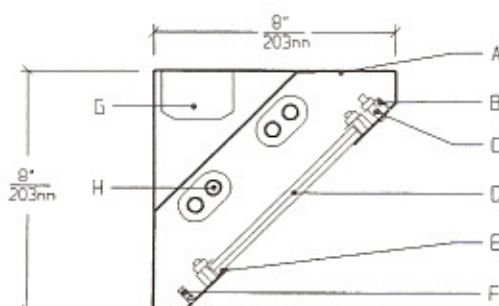
- Detention Cell Lighting
- Prison Day Rooms and Common Areas
- Psychiatric Ward Lighting
- Rehabilitation Centers
- Dormitories

Heavy gauge housings with concealed hinges, unbreakable lenses, tamperproof screws and absence of cracks and crevices make DCA Series ideally suited for DETENTION and SECURITY areas, where physical attack or abuse are expected.

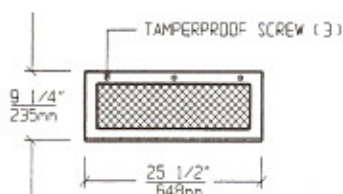
**FEATURES**

- ◆ Heavy gauge Housing and Lens Frame
- ◆ 2 feet by 8 in. nominal Housing size
- ◆ One piece Lens Frame with tightly closed corners
- ◆ Exterior / Interior Lens system provides protection and uniform illumination
- ◆ Tamperproof Screws with captive cage nuts
- ◆ Concealed Hinge with welded pin end to optimize security
- ◆ Removable Power Tray
- ◆ Lens secured to Lens Frame by through studs and heavy gauge steel rails
- ◆ Maximum, Medium, Minimum or Super Maximum security

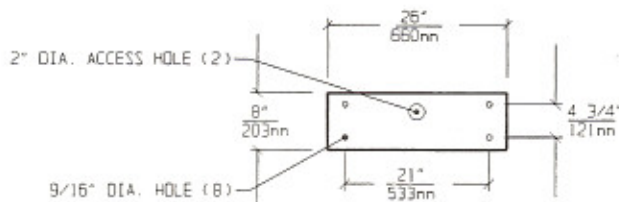
**CROSS SECTION**



**LENS FRAME DIMENSIONS**



**TOP and SIDE VIEW / MOUNTING DIMENSIONS**



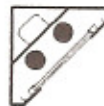
**SPECIFICATIONS**

<p><b>A. HOUSING</b> Die formed cold rolled steel Housing, with welded seams. Specify gauge. (See Options).</p> <p><b>B. GASKET</b> Polyurethane Gasket around inside of Lens Frame to prevent light leaks.</p> <p><b>C. FASTENERS</b> Captive tamperproof fasteners. (Torx head standard For others see Options).</p> <p><b>D. LENS</b> Per spec. Specify Lenses for Room / Lamp sides. (See Lens Options).</p> <p><b>E. LENS FRAME</b> Die formed one piece cold rolled steel Lens Frame in heavy gauge to match Housing.</p>	<p><b>F. HINGE</b> Heavy gauge concealed continuous piano hinge with welded pin ends.</p> <p><b>G. BALLAST</b> HPF, Class P, Energy saving Ballast (See Voltage, Ballast Options).</p> <p><b>H. LAMPS</b> 17W T-8, 20W T-12, 40W Biax or 40W U Lamps. See Lamp Options. (Lamps by others).</p> <p><b>I. FINISH</b> Polyester Powder coat white finish with 92% reflectance.</p> <p><b>J. UL LISTED</b> Suitable for Damp Locations.</p>
---	---

LAMP SELECTION



LAMPS: (1) 17W T-8  
(1) 20W T-12



LAMPS: (2) 17W T-8  
(2) 20W T-12



LAMPS: (3) 17W T-8  
(3) 20W T-12



LAMPS: (1) 40W BIAX



LAMPS: (2) 40W BIAX



LAMPS: (1) 40W U (3")

ORDERING INFORMATION

DCA-2 -

GAUGE	No. of LAMPS	WATTAGE	VOLTAGE	BALLAST	LENS OPTION	OPTIONS
T=12 Gauge Super Max.	1=1 Lamp (All)	17=17Watts (T-8)	120=120Volts 277=277Volts	EB=Electronic Ballast	ROOM SIDE 18CP=.187"Clear P/C	AH = Allen Head Screws GF = GLR Fuse
F=14 Gauge Maximum	2=2 Lamps (Except U)	20=20Watts (T-12)	347=347Volts	MB=Magnetic Ballast	25CP=.250"Clear P/C 37CP=.375"Clear P/C	NL*=Night Light (PL-7or 9) DB = Dimming Ballast
S=16 Gauge Medium	3=3 Lamps (Except U and Biax)	40U=40Watts U (3" spacing)		EB2=(2) Electr. Ballasts	50CP=.500"Clear P/C 18TG=.187"Temp.Glass	EM*=Emergency Lighting CW =Cold Weather Ballast
E=18 Gauge Minimum Security		40BX=40Watts Biax Twin Tube		EBH=<10% THD El. Ballast	25TG=.250"Temp.Glass 37TG=.375"Temp.Glass 50TG=.500"Temp.Glass	(More than one Option can be specified)
					LAMP SIDE 12PA=.125"Prism. Acrylic 15PP=.156"Prism. P/C 18PP=.187"Prism. P/C 15PG=.156"Prism. Temp. Glass U0 = UV Absorbing Overlay (Other Lens Options Available. Consult Factory)	* - Consult Factory

EXAMPLE: DCA - 2 - F - 2 - 40BX - 277 - EB - 25CP/15PP

DESCRIPTION: DCA - 2 = Series DCA, 2 feet nominal size  
 F = 14 Gauge Cold Rolled Steel - Maximum Security  
 2 = 2 Lamps  
 40BX = 40 Watts Biax Twin Tube Lamps  
 277 = 277 Volt Operation  
 EB = Electronic Ballast  
 25CP/15PP = .250" Thick Clear Polycarbonate on Room Side / .156" Thick Prismatic Polycarbonate on Lamp Side

FIXTURE TYPE	CATALOG NUMBER	JOB NAME	APPROVAL	DATE	COMMENTS
	DCA-2-				

Dimensions and Specifications subject to change without notice  
 Fixture guaranteed for one year against mechanical defects in manufacture.  
 2-97 DCA-2