

**LIGHTING FOR COMPLEX ENVIRONMENTS**

**4 ft. long**

**APPLICATIONS**

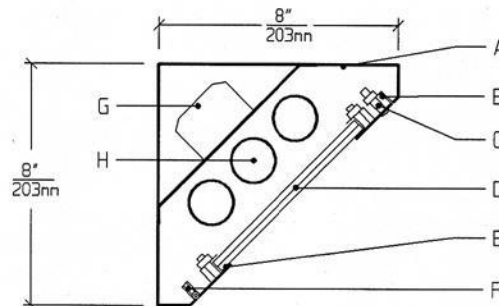
- Detention Cell Lighting
- Prison Day Rooms and Common Areas
- Psychiatric Ward Lighting
- Rehabilitation Centers
- Dormitories

Heavy gauge housings with concealed hinges, unbreakable lenses, tamperproof screws and absence of cracks and crevices make DCA Series ideally suited for DETENTION and SECURITY areas, where physical attack or abuse are expected.

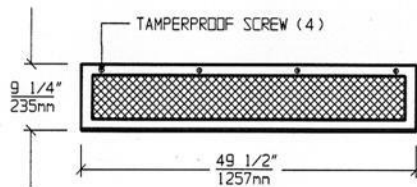
**FEATURES**

- Heavy gauge Housing and Lens Frame
- 4 feet by 8 in. nominal Housing size
- One Piece Lens Frame with tightly closed corners
- Exterior / Interior Lens system provides protection and uniform illumination
- Tamperproof Screws with captive cage nuts
- Concealed Hinge with welded pin end to optimize security
- Removable Power Tray
- Lens secured to Lens Frame by through studs and heavy gauge steel rails
- Maximum, Medium, Minimum or Super Maximum security

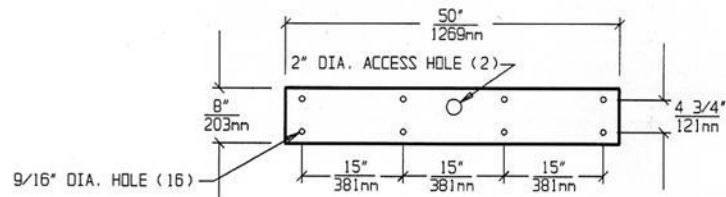
**CROSS SECTION**



**LENS FRAME DIMENSIONS**



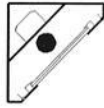
**TOP and BACK VIEW MOUNTING DIMENSIONS**



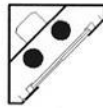
**SPECIFICATIONS**

<p><b>A. HOUSING</b> Die formed cold rolled steel Housing, with welded seams. Specify gauge. (See Options).</p> <p><b>B. GASKET</b> Polyurethane Gasket around inside of Lens Frame to prevent light leaks.</p> <p><b>C. FASTNERS</b> Captive tamperproof fasteners. (Torx head standard. For others see Options).</p> <p><b>D. LENS</b> Per spec. Specify Lenses for Room / Lamp sides. (See Lens Options).</p> <p><b>E. LENS FRAME</b> Die formed one piece cold rolled steel Lens Frame in heavy gauge to match Housing.</p>	<p><b>F. HINGE</b> Heavy gauge concealed continuous piano hinge with welded pin ends.</p> <p><b>G. BALLAST</b> HPF, Class P, Energy saving Ballast (See Voltage, Ballast Options).</p> <p><b>H. LAMPS</b> 32W T-8, 28W T-5 or 54W T-5 HO Lamps. See Lamp Options (Lamps by others).</p> <p><b>I. FINISH</b> Polyester Powder coat white finish with 92% reflectance.</p> <p><b>J. UL LISTED</b> Suitable for Wet Locations.</p>
---	---

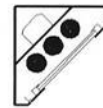
**LAMP SELECTION**



LAMPS: (1) 32W T-8  
(1) 28W T-5  
(1) 54W T-5HO



LAMPS: (2) 32W T-8  
(2) 28W T-5  
(2) 54W T-5HO



LAMPS: (3) 32W T-8  
(3) 28W T-5  
(3) 54W T-5HO

**ORDERING INFORMATION**

**DCA-4 -**

GAUGE	No. of LAMPS	WATTAGE	VOLTAGE	BALLAST	LENS OPTION	OPTIONS
T=12 Gauge Super Max.	1=1 Lamp	32=32 Watts (T-8)	120=120 Volts	EB=Electronic Ballast	<b>ROOM SIDE</b> 18CP= 187" Clear P/C	AH=Allen Head Screws
F=14 Gauge Maximum	2=2 Lamps	28=28 Watts (T-5)	277=277 Volts	MB=Magnetic Ballasts	25CP= 250" Clear P/C	GF=GLR Fuse
S=16 Gauge Medium	3=3 Lamps	54=54 Watts (T-5HO)	347=347 Volts	EB2=(2) Electr. Ballasts	37CP= 375" Clear P/C	NL=Night Light (PL-7 or 9)
E=18 Gauge Minimum Security				EBH=<10% THD El. Ballast	50CP= 500" Clear P/C	DB=Dimming Ballast
					18TG= 187" Temp. Glass	EM=Emergency Lighting
					25TG= 250" Temp. Glass	CW=Cold Weather Ballast
					37TG= 375" Temp. Glass	(More than one Option can be specified)
					50TG= 500" Temp. Glass	
					<b>LAMP SIDE</b>	
					12PA= 125" Prism, Acrylic	
					15PP= 156" Prism, P/C	
					18PP= 187" Prism, P/C	
					15PG= 156" Prism, Temp. Glass	
					UO= UV Absorbing Overlay	
					(Other Lens Options Available. Consult Factory)	

**EXAMPLE: DCA - 4 - F - 3 - 32 - 277 - EB - 25CP/15PP - AH**

**DESCRIPTION:** **DCA - 4** = Series DCA, 4 feet nominal size  
**F** = 14 Gauge Cold Rolled Steel - Maximum Security  
**3** = 3 Lamps  
**32** = 32 Watts T-8 Lamps  
**277** = 277 Volt Operation  
**EB** = Electronic Ballast  
**25CP/15PP** = .250" Thick Clear Polycarbonate on Room Side / .156" Thick Polycarbonate on Lamp Side  
**AH** = Allen Head Screws in Lens Frame

FIXTURE TYPE		COMMENTS
CATALOG NUMBER	DCA-4-	
JOB NAME		
APPROVAL		
DATE		

Dimensions and Specifications subject to change without notice.  
 Fixture guaranteed for one year against mechanical defects in manufacture.  
 Copyright 2-10 DCA-4