

LIGHTING FOR COMPLEX ENVIRONMENTS

2 ft. long

APPLICATIONS

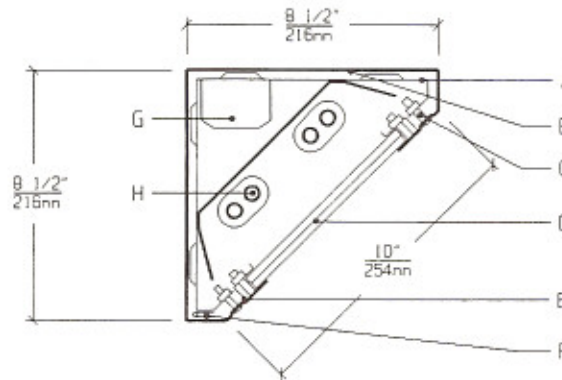
- Detention Cell Lighting
- Prison Day Rooms and Common Areas
- Psychiatric Ward Lighting
- Rehabilitation Centers
- Dormitories

Heavy gauge housings with concealed hinges, unbreakable lenses, tamperproof screws and absence of cracks and crevices make DCB Series ideally suited for DETENTION and SECURITY areas, where physical attack or abuse are expected.

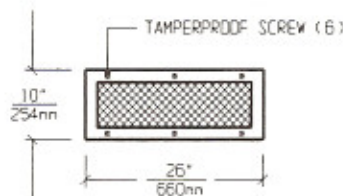
FEATURES

- ♦ Hinged, one piece, heavy gauge steel Lens Housing
- ♦ 2 feet by 8 in. nominal Housing size
- ♦ One piece Backplate with a blade trap
- ♦ Exterior / Interior Lens system provides protection and uniform illumination
- ♦ Tamperproof Screws with captive cage nuts
- ♦ Concealed Hinge with welded pin end to optimize security
- ♦ Removable Power Tray
- ♦ Lens secured to Lens Housing by through studs and heavy gauge steel rails
- ♦ Maximum, Medium, Minimum or Super Maximum security

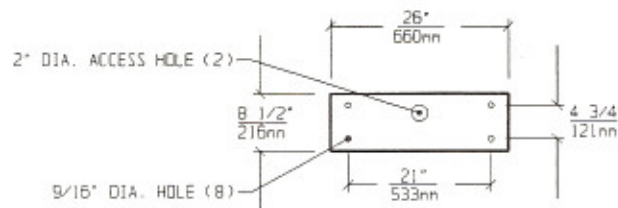
CROSS SECTION



LENS FRAME DIMENSIONS



TOP and SIDE VIEW / MOUNTING DIMENSIONS



SPECIFICATIONS

<p>A. BACKPLATE Die formed cold rolled steel Backplate, with contraband drop slot. Gauge to match Housing.</p> <p>B. GASKET Polyurethane Gasket around inside of Lens Housing to prevent light leaks.</p> <p>C. FASTENERS Captive tamperproof fasteners. (Torx head standard. For others see Options).</p> <p>D. LENS Per spec. Specify Lenses for Room / Lamp sides. (See Lens Options).</p> <p>E. HOUSING Die formed one piece cold rolled steel Lens Housing with welded seams. (Specify gauge).</p>	<p>F. HINGE Heavy gauge internal security Hinge supports Lens Housing during relamping.</p> <p>G. BALLAST HPF, Class P, Energy saving Ballast (See Voltage, Ballast Options).</p> <p>H. LAMPS 17W T-8, 20W T-12, 40W Biax or 40W U Lamps. See Lamps Options. (Lamps by others).</p> <p>I. FINISH Polyester Powder coat white finish with 92% reflectance.</p> <p>J. UL LISTED Suitable for Damp Locations.</p>
--	---

LAMP SELECTION



LAMPS: (1) 17W T-8
(1) 20W T-12



LAMPS: (2) 17W T-8
(2) 20W T-12



LAMPS: (3) 17W T-8
(3) 20W T-12



LAMPS: (1) 40W BIAx



LAMPS: (2) 40W BIAx



LAMPS: (1) 40W U (3")

ORDERING INFORMATION

DCB-2 -

GAUGE	No. of LAMPS	WATTAGE	VOLTAGE	BALLAST	LENS OPTION	OPTIONS
T=12 Gauge Super Max.	1=1 Lamp (All)	17=17Watts (T-8)	120=120Volts 277=277Volts	EB=Electronic Ballast	ROOM SIDE 18CP=.187"Clear P/C	AH = Allen Head Screws GF = GLR Fuse
F=14 Gauge Maximum	2=2 Lamps (Except U)	20=20Watts (T-12)	347=347Volts	MB=Magnetic Ballast	25CP=.250"Clear P/C 37CP=.375"Clear P/C	NL*=Night Light (PL-7or 9) DB = Dimming Ballast
S=16 Gauge Medium	3=3 Lamps (Except U and Biax)	40U=40Watts U (3" spacing)		EB2=(2) Electr. Ballasts	50CP=.500"Clear P/C 18TG=.187"Temp.Glass	EM*=Emergency Lighting CW =Cold Weather Ballast
E=18 Gauge Minimum Security		40BX=40Watts Biax Twin Tube		EBH=<10% THD El. Ballast	25TG=.250"Temp.Glass 37TG=.375"Temp.Glass 50TG=.500"Temp.Glass	(More than one Option can be specified)
					LAMP SIDE 12PA=.125"Prism. Acrylic 15PP=.156"Prism. P/C 18PP=.187"Prism. P/C 15PG=.156"Prism. Temp. Glass UO = UV Absorbing Overlay (Other Lens Options Available. Consult Factory)	* - Consult Factory

EXAMPLE: DCB - 2 - F - 2 - 40BX - 277 - EB - 25CP/15PP

DESCRIPTION: DCB - 2 = Series DCB, 2 feet nominal size
 F = 14 Gauge Cold Rolled Steel - Maximum Security
 2 = 2 Lamps
 40BX = 40 Watts Biax Twin Tube Lamps
 277 = 277 Volt Operation
 EB = Electronic Ballast
 25CP/15PP = .250" Thick Clear Polycarbonate on Room Side / .156" Thick Prismatic Polycarbonate on Lamp Side

FIXTURE TYPE	COMMENTS
CATALOG NUMBER DCB-2-	
JOB NAME	
APPROVAL	
DATE	

Dimensions and Specifications subject to change without notice
 Fixture guaranteed for one year against mechanical defects in manufacture.
 2-97 DCB-2