

LIGHTING FOR COMPLEX ENVIRONMENTS

APPLICATIONS

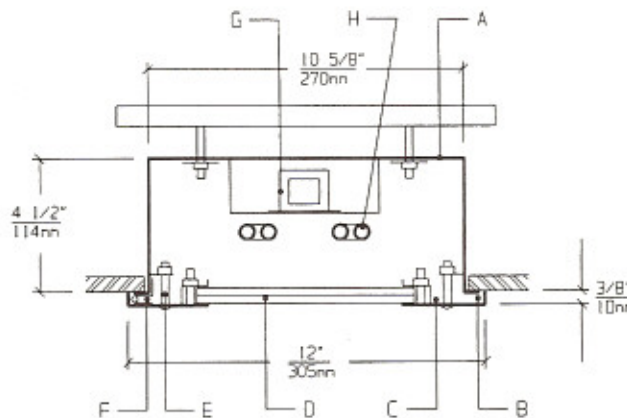
- Detention Cell Lighting
- Prison Day Rooms and Common Areas
- Psychiatric Ward Lighting
- Rehabilitation Centers
- Dormitories

Heavy gauge housings with concealed hinges, unbreakable lenses, tamperproof screws and absence of cracks and crevices make DFA Series ideally suited for DETENTION and SECURITY areas, where physical attack or abuse are expected.

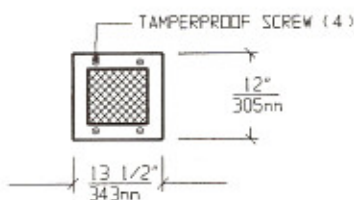
FEATURES

- ♦ Heavy gauge Housing and Lens Frame
- ♦ 1' X 1' nominal Housing size
- ♦ One piece Lens Frame with tightly closed corners
- ♦ Exterior / Interior Lens system provides protection and uniform illumination
- ♦ Tamperproof Screws with captive cage nuts
- ♦ Concealed Hinge to optimize security
- ♦ Removable Power Tray
- ♦ Lens secured to Lens Frame by through studs and heavy gauge steel rails
- ♦ Maximum, Medium, Minimum or Super Maximum security

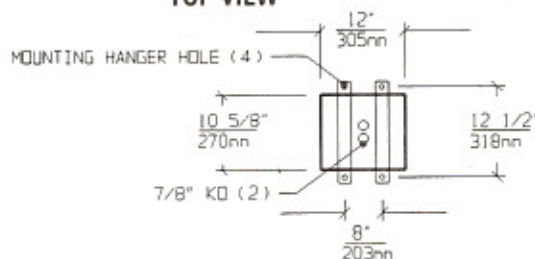
CROSS SECTION



LENS FRAME DIMENSIONS



TOP VIEW



CEILING CUT-OUT:
11\" X 12 1/2\"

SPECIFICATIONS

- | | |
|--|---|
| <p>A. HOUSING Die formed cold rolled steel Housing, with welded seams. Specify gauge. (See Options).</p> <p>B. GASKET Polyurethane Gasket around inside of Lens Frame to prevent light leaks.</p> <p>C. LENS FRAME Die formed one piece cold rolled steel Lens Frame in heavy gauge to match Housing.</p> <p>D. LENS Per spec. Specify Lenses for Room / Lamp sides. (See Lens Options).</p> <p>E. FASTENERS Captive tamperproof fasteners. (Torx head standard. For others see Options).</p> | <p>F. HINGE Heavy gauge concealed continuous piano hinge with welded pin ends.</p> <p>G. BALLAST NPF, self-start, Class P Ballast (See Voltage, Ballast Options).</p> <p>H. LAMPS 13W Biax Twin Tube Lamps. See Lamp Options. (Lamps by others).</p> <p>I. FINISH Polyester Powder coat white finish with 92% reflectance.</p> <p>J. UL LISTED Suitable for Wet Locations.</p> |
|--|---|

LAMP SELECTION



LAMPS: (1) 13W BIAX



LAMPS: (2) 13W BIAX



LAMPS: (3) 13W BIAX

ORDERING INFORMATION

DFA-11 -

| GAUGE | No. of LAMPS | WATTAGE | VOLTAGE | BALLAST | LENS OPTION | OPTIONS |
|------------|--------------|------------|--------------|---------------|--------------------------------|----------------------------|
| T=12 Gauge | 1=1 Lamp | 13=13Watts | 120=120Volts | EB=Electronic | ROOM SIDE | AH=Allen Head Screws |
| Super Max. | 2=2 Lamps | Biax | 277=277Volts | Ballast | 18CP=.187"Clear P/C | GF=GLR Fuse |
| F=14 Gauge | 3=3 Lamps | Twin Tube | 347=347Volts | MB=Magnetic | 25CP=.250"Clear P/C | NL*=Night Light (PL-7or 9) |
| Maximum | | | | Ballast | 37CP=.375"Clear P/C | DB=Dimming Ballast |
| S=16 Gauge | | | | | 50CP=.500"Clear P/C | PF=Plaster Frame |
| Medium | | | | | 18TG=.187"Temp.Glass | |
| E=18 Gauge | | | | | 25TG=.250"Temp.Glass | |
| Minimum | | | | | 37TG=.375"Temp.Glass | (More than one Option |
| Security | | | | | 50TG=.500"Temp.Glass | can be specified) |
| | | | | | LAMP SIDE | * - Consult Factory |
| | | | | | 12PA=.125"Prism. Acrylic | |
| | | | | | 15PP=.156"Prism. P/C | |
| | | | | | 18PP=.187"Prism. P/C | |
| | | | | | 15PG=.156"Prism. Temp. Glass | |
| | | | | | UO = UV Absorbing Overlay | |
| | | | | | (Other Lens Options Available. | |
| | | | | | Consult Factory) | |

EXAMPLE: DFA - 11 - F - 2 - 13 - 277 - MB - 25CP/15PP - AH

DESCRIPTION: DFA - 11 = Series DFA, 1 foot by 1 foot nominal size
 F = 14 Gauge Cold Rolled Steel - Maximum Security
 2 = 2 Lamps
 13 = 13 Watts Biax Twin Tube Lamps
 277 = 277 Volt Operation
 MB = Magnetic Ballast
 25CP/15PP = .250" Thick Clear Polycarbonate on Room Side / .156" Thick Prismatic Polycarbonate on Lamp Side
 AH = Allen Head Screws in Lens Frame

| FIXTURE TYPE | | COMMENTS |
|----------------|---------|----------|
| CATALOG NUMBER | DFA-11- | |
| JOB NAME | | |
| APPROVAL | | |
| DATE | | |
| | | |

Dimensions and Specifications subject to change without notice
 Fixture guaranteed for one year against mechanical defects in manufacture.
 2-97 DFA-11