

**LIGHTING FOR COMPLEX ENVIRONMENTS**

**APPLICATIONS**

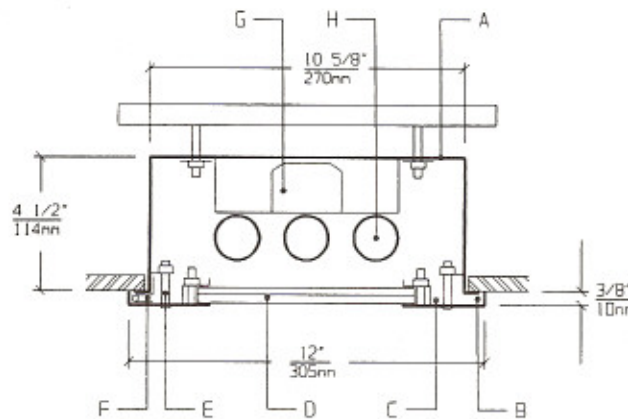
- Detention Cell Lighting
- Prison Day Rooms and Common Areas
- Psychiatric Ward Lighting
- Rehabilitation Centers
- Dormitories

Heavy gauge housings with concealed hinges, unbreakable lenses, tamperproof screws and absence of cracks and crevices make DFA Series ideally suited for DETENTION and SECURITY areas, where physical attack or abuse are expected.

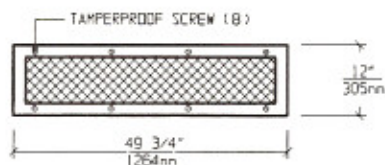
**FEATURES**

- ♦ Heavy gauge Housing and Lens Frame
- ♦ 1' X 4' nominal Housing size
- ♦ One piece Lens Frame with tightly closed corners
- ♦ Exterior / Interior Lens system provides protection and uniform illumination
- ♦ Tamperproof Screws with captive cage nuts
- ♦ Concealed Hinge to optimize security
- ♦ Removable Power Tray
- ♦ Lens secured to Lens Frame by through studs and heavy gauge steel rails
- ♦ Maximum, Medium, Minimum or Super Maximum security

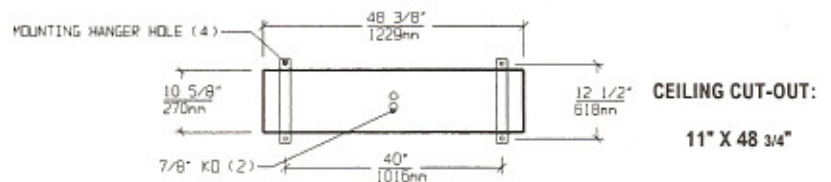
**CROSS SECTION**



**LENS FRAME DIMENSIONS**



**TOP VIEW**



**SPECIFICATIONS**

<p><b>A. HOUSING</b> Die formed cold rolled steel Housing, with welded seams. Specify gauge. (See Options).</p> <p><b>B. GASKET</b> Polyurethane Gasket around inside of Lens Frame to prevent light leaks.</p> <p><b>C. LENS FRAME</b> Die formed one piece cold rolled steel Lens Frame in heavy gauge to match Housing.</p> <p><b>D. LENS</b> Per spec. Specify Lenses for Room / Lamp sides. (See Lens Options).</p> <p><b>E. FASTENERS</b> Captive tamperproof fasteners. (Torx head standard. For others see Options).</p>	<p><b>F. HINGE</b> Heavy gauge concealed continuous piano hinge with welded pin ends.</p> <p><b>G. BALLAST</b> HPF, Class P, Energy saving Ballast (See Voltage, Ballast Options).</p> <p><b>H. LAMPS</b> 32W T-8 or 40W T-12 Lamps. See Lamp Options. (Lamps by others).</p> <p><b>I. FINISH</b> Polyester Powder coat white finish with 92% reflectance.</p> <p><b>J. UL LISTED</b> Suitable for Wet Locations.</p>
--	---

LAMP SELECTION



LAMPS: (1) 32W T-8  
(1) 40W T-12



LAMPS: (2) 32W T-8  
(2) 40W T-12



LAMPS: (3) 32W T-8  
(3) 40W T-12

ORDERING INFORMATION

DFA-14 -

GAUGE	No. of LAMPS	WATTAGE	VOLTAGE	BALLAST	LENS OPTION	OPTIONS
T=12 Gauge	1=1 Lamp	32=32 Watts	120=120 Volts	EB=Electronic	ROOM SIDE	AH=Allen Head Screws
Super Max.	2=2 Lamps	(T-8)	277=277 Volts	Ballast	18CP=.187"Clear P/C	GF=GLR Fuse
F=14 Gauge	3=3 Lamps	40=40 Watts	347=347 Volts	MB=Magnetic	25CP=.250"Clear P/C	NL=Night Light (PL-7or 9)
Maximum		(T-12)		Ballast	37CP=.375"Clear P/C	DB=Dimming Ballast
S=16 Gauge				EB2=(2) Electr.	50CP=.500"Clear P/C	EM=Emergency Lighting
Medium				Ballasts	18TG=.187"Temp.Glass	CW=Cold Weather Ballast
E=18 Gauge				EBH=<10% THD	25TG=.250"Temp.Glass	PF=Plaster Frame
Minimum				El. Ballast	37TG=.375"Temp.Glass	(More than one Option
Security					50TG=.500"Temp.Glass	can be specified)

LAMP SIDE

- 12PA=.125"Prism. Acrylic
- 15PP=.156"Prism. P/C
- 18PP=.187"Prism. P/C
- 15PG=.156"Prism. Temp. Glass
- UO = UV Absorbing Overlay
- (Other Lens Options Available. Consult Factory)

**EXAMPLE: DFA - 14 - F - 3 - 32 - 277 - EB - 25CP/15PP - AH**

**DESCRIPTION:** DFA - 14 = Series DFA, 1 foot by 4 feet nominal size  
 F = 14 Gauge Cold Rolled Steel - Maximum Security  
 3 = 3 Lamps  
 32 = 32 Watts T-8 Lamps  
 277 = 277 Volt Operation  
 EB = Electronic Ballast  
 25CP/15PP = .250" Thick Clear Polycarbonate on Room Side / .156" Thick Prismatic Polycarbonate on Lamp Side  
 AH = Allen Head Screws in Lens Frame

FIXTURE TYPE		COMMENTS
CATALOG NUMBER	DFA-14-	
JOB NAME		
APPROVAL		
DATE		

Dimensions and Specifications subject to change without notice  
 Fixture guaranteed for one year against mechanical defects in manufacture.  
 2-97 DFA-14