

LIGHTING FOR COMPLEX ENVIRONMENTS

APPLICATIONS

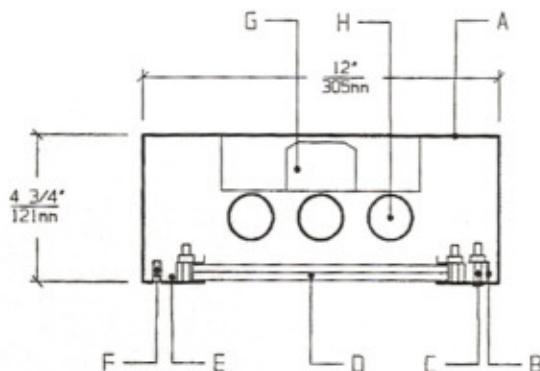
- Detention Cell Lighting
- Prison Day Rooms and Common Areas
- Psychiatric Ward Lighting
- Rehabilitation Centers
- Dormitories

Heavy gauge housings with concealed hinges, unbreakable lenses, tamperproof screws and absence of cracks and crevices make DSA Series ideally suited for DETENTION and SECURITY areas, where physical attack or abuse are expected.

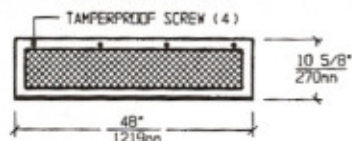
FEATURES

- Heavy gauge Housing and Lens Frame
- 1' x 4' nominal Housing size
- One Piece Lens Frame with tightly closed corners
- Exterior / Interior Lens system provides protection and uniform illumination
- Tamperproof Screws with captive cage nuts
- Concealed Hinge to optimize security
- Removable Power Tray
- Lens secured to Lens Frame by through studs and heavy gauge steel rails
- Maximum, Medium, Minimum or Super Maximum security

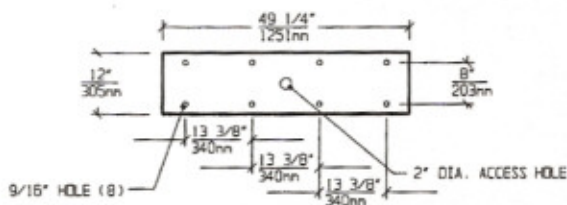
CROSS SECTION



LENS FRAME DIMENSIONS



TOP VIEW



SPECIFICATIONS

<p>A. HOUSING Die formed cold rolled steel Housing, with welded seams. Specify gauge. (See Options).</p> <p>B. GASKET Polyurethane Gasket around inside of Lens Frame to prevent light leaks.</p> <p>C. FASTNERS Captive tamperproof fasteners. (Torx head standard. For others see Options).</p> <p>D. LENS Per spec. Specify Lenses for Room / Lamp sides. (See Lens Options).</p> <p>E. LENS FRAME Die formed one piece cold rolled steel Lens Frame in heavy gauge to match Housing.</p>	<p>F. HINGE Heavy gauge concealed continuous piano hinge with welded pin ends.</p> <p>G. BALLAST HPF, Class P, Energy saving Ballast (See Voltage, Ballast Options).</p> <p>H. LAMPS 32W T-8 or 40W T-12 Lamps. See Lamp Options (Lamps by others).</p> <p>I. FINISH Polyester Powder coat white finish with 92% reflectance.</p> <p>J. UL LISTED Suitable for Damp Locations.</p>
---	---

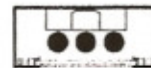
LAMP SELECTION



LAMPS: (1) 32W T-8
(1) 40W T-12



LAMPS: (2) 32W T-8
(2) 40W T-12



LAMPS: (3) 32W T-8
(3) 40W T-12

ORDERING INFORMATION

DSA-14 -

GAUGE	No. of LAMPS	WATTAGE	VOLTAGE	BALLAST	LENS OPTION	OPTIONS
T=12 Gauge	1=1 Lamp	32=32 Watts	120=120 Volts	EB=Electronic Ballast	ROOM SIDE 18CP=.187"Clear P/C	AH=Allen Head Screws
Super Max.	2=2 Lamps	(T - 8)	277=277 Volts		25CP=.250"Clear P/C	GF=GLR Fuse
F=14 Gauge	3=3 Lamps	40=40 Watts	347=347 Volts	MB=Magnetic	37CP=.375"Clear P/C	NL=Night Light (PL-7 or 9)
Maximum		(T - 12)	UNV=120-277 Volts	EB2=(2) Electr. Ballasts	50CP=.500"Clear P/C	DB=Dimming Ballast
S=16 Gauge				EBH=<10% THD El. Ballast	18TG=.187"Temp.Glass	EM=Emergency Lighting
Medium				EBR=Rapid Start El. Ballast	25TG=.250"Temp.Glass	CW=Cold Weather Ballast
E=18 Gauge					37TG=.375"Temp.Glass	(More than one Option can be specified)
Minimum					50TG=.500"Temp.Glass	
Security					75TG=.750"Temp.Glass	
					LAMP SIDE	
					12PA=.125"Prism.Acrylic	
					15PP=.156"Prism. P/C	
					18PP=.187"Prism. P/C	
					15PG=.156"Prism.Temp.Glass	
					UO= UV Absorbing Overlay	
					(Other Lens Options Available. Consult Factory)	

EXAMPLE: DSA - 14 - F - 3 - 32 - 277 - EB - 25CP/15PP - AH - NL

DESCRIPTION: DSA - 14 = Series DSA, 1 foot by 4 feet nominal size
 F = 14 Gauge Cold Rolled Steel Maximum Security
 3 = 3 Lamps
 32 = 32 Watts T-8 Lamps
 277 = 277 Volt Operation
 EB = Electronic Ballast
 25CP/15PP = .250" Thick Clear Polycarbonate on Room Side / .156" Thick Polycarbonate on Lamp Side
 AH = Allen Head Screws in Lens Frame
 NL = Night Light for PL - 7 or 9

FIXTURE TYPE		COMMENTS
CATALOG NUMBER	DSA-14-	
JOB NAME		
APPROVAL		
DATE		

Dimensions and Specifications subject to change without notice
 Fixture guaranteed for one year against mechanical defects in manufacture.
 2-99 DSA-14