

LIGHTING FOR COMPLEX ENVIRONMENTS

2' X 2'

APPLICATIONS

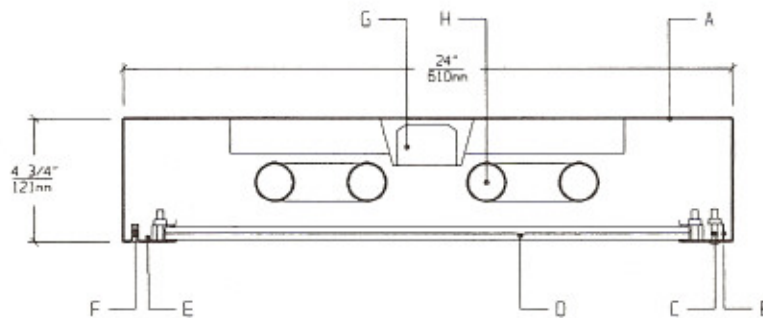
- Detention Cell Lighting
- Prison Day Rooms and Common Areas
- Psychiatric Ward Lighting
- Rehabilitation Centers
- Dormitories

Heavy gauge housings with concealed hinges, unbreakable lenses, tamperproof screws and absence of cracks and crevices make DSA Series ideally suited for DETENTION and SECURITY areas, where physical attack or abuse are expected.

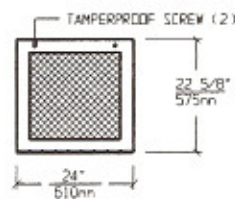
FEATURES

- ♦ Heavy gauge Housing and Lens Frame
- ♦ 2' X 2' nominal Housing size
- ♦ One piece Lens Frame with tightly closed corners
- ♦ Exterior / Interior Lens system provides protection and uniform illumination
- ♦ Tamperproof Screws with captive cage nuts
- ♦ Concealed Hinge to optimize security
- ♦ Removable Power Tray
- ♦ Lens secured to Lens Frame by through studs and heavy gauge steel rails
- ♦ Maximum, Medium, Minimum or Super Maximum security

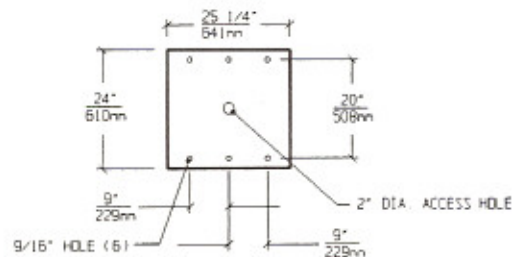
CROSS SECTION



LENS FRAME DIMENSIONS



TOP VIEW / MOUNTING DIMENSIONS



SPECIFICATIONS

<p>A. HOUSING Die formed cold rolled steel Housing, with welded seams. Specify gauge. (See Options).</p> <p>B. GASKET Polyurethane Gasket around inside of Lens Frame to prevent light leaks.</p> <p>C. FASTENERS Captive tamperproof fasteners. (Torx head standard. For others see Options).</p> <p>D. LENS Per spec. Specify Lenses for Room / Lamp sides. (See Lens Options).</p> <p>E. LENS FRAME Die formed one piece cold rolled steel Lens Frame in heavy gauge to match Housing.</p>	<p>F. HINGE Heavy gauge concealed continuous piano hinge with welded pin ends.</p> <p>G. BALLAST HPF, Class P, Energy saving Ballast (See Voltage, Ballast Options).</p> <p>H. LAMPS 17W T-8, 20W T-12, 40W Biax or 40W U Lamps. See Lamp Options. (Lamps by others).</p> <p>I. FINISH Polyester Powder coat white finish with 92% reflectance.</p> <p>J. UL LISTED Suitable for Damp Locations.</p>
--	---

LAMP SELECTION



LAMPS: (2) 17W T-8
(2) 20W T-12



LAMPS: (3) 17W T-8
(3) 20W T-12



LAMPS: (4) 17W T-8
(4) 20W T-12



LAMPS: (2) 40W U (3")



LAMPS: (2) 40W BIAX



LAMPS: (3) 40W BIAX

ORDERING INFORMATION

DSA-22 -

GAUGE	No. of LAMPS	WATTAGE	VOLTAGE	BALLAST	LENS OPTION	OPTIONS
T=12 Gauge Super Max.	2=2 Lamps (All)	17=17 Watts (T-8)	120=120 Volts 277=277 Volts	EB=Electronic Ballast	ROOM SIDE 18CP=.187"Clear P/C	AH=Allen Head Screws GF=GLR Fuse
F=14 Gauge Maximum	3=3 Lamps (Except U)	20=20 Watts (T-12)	347=347 Volts	MB=Magnetic Ballast	25CP=.250"Clear P/C 37CP=.375"Clear P/C	NL=Night Light (PL-7or 9) DB=Dimming Ballast
S=16 Gauge Medium	4=4 Lamps (Except U and Bi-X)	40U=40 Watts U (3" Spacing)		EB2=(2) Electr. Ballasts	50CP=.500"Clear P/C 18TG=.187"Temp.Glass	EM=Emergency Lighting CW=Cold Weather Ballast
E=18 Gauge Minimum Security		40BX=40 Watts Bi-X Twin Tube		EBH=<10% THD El. Ballast	25TG=.250"Temp.Glass 37TG=.375"Temp.Glass 50TG=.500"Temp.Glass	(More than one Option can be specified)

LAMP SIDE

- 12PA=.125"Prism. Acrylic
- 15PP=.156"Prism. P/C
- 18PP=.187"Prism. P/C
- 15PG=.156"Prism. Temp. Glass
- UO = UV Absorbing Overlay
- (Other Lens Options Available.
Consult Factory)

EXAMPLE: DSA - 22 - F - 2 - 40U - 277 - EB - 25CP/15PP - AH - NL

DESCRIPTION: DSA - 22 = Series DSA, 2 feet by 2 feet nominal size
 F = 14 Gauge Cold Rolled Steel - Maximum Security
 2 = 2 Lamps
 40U = 40 Watts U Lamps (3" spacing)
 277 = 277 Volt Operation
 EB = Electronic Ballast
 25CP/15PP= .250" Thick Clear Polycarbonate on Room Side / .156" Thick Prismatic Polycarbonate on Lamp Side
 AH = Allen Head Screws in Lens Frame
 NL = Night Light for PL - 7 or 9

FIXTURE TYPE		COMMENTS
CATALOG NUMBER	DSA-22-	
JOB NAME		
APPROVAL		
DATE		

Dimensions and Specifications subject to change without notice
 Fixture guaranteed for one year against mechanical defects in manufacture.
 2-97 DSA-22