

LIGHTING FOR COMPLEX ENVIRONMENTS

1' X 1'

APPLICATIONS

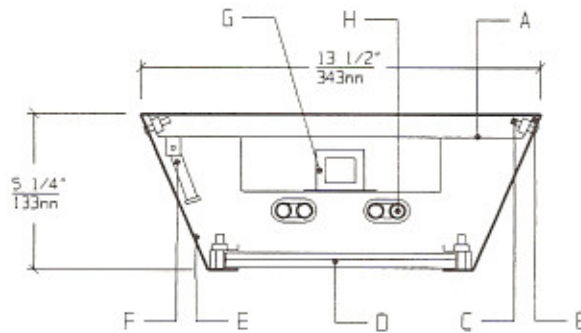
- Detention Cell Lighting
- Prison Day Rooms and Common Areas
- Psychiatric Ward Lighting
- Rehabilitation Centers
- Dormitories

Heavy gauge housings with concealed hinges, unbreakable lenses, tamperproof screws and absence of cracks and crevices make DSB Series ideally suited for DETENTION and SECURITY areas, where physical attack or abuse are expected.

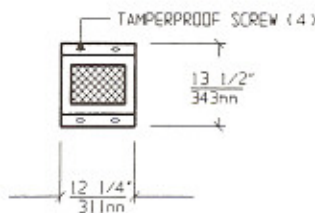
FEATURES

- ◆ Hinged, one piece, heavy gauge Lens Housing
- ◆ 1' X 1' nominal Housing size
- ◆ One piece Backpan with a blade trap
- ◆ Exterior / Interior Lens system provides protection and uniform illumination
- ◆ Tamperproof Screws with captive cage nuts
- ◆ Concealed Hinge to optimize security
- ◆ Removable Power Tray
- ◆ Lens secured to Lens Frame by through studs and heavy gauge steel rails
- ◆ Maximum, Medium, Minimum or Super Maximum security

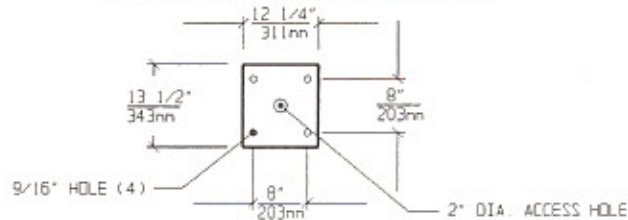
CROSS SECTION



LENS HOUSING DIMENSIONS



TOP VIEW / MOUNTING DIMENSIONS



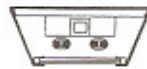
SPECIFICATIONS

- | | |
|--|---|
| <p>A. BACKPAN Die formed cold rolled steel Backpan, with contraband drop slot. Gauge to match Housing.</p> <p>B. GASKET Polyurethane Gasket around inside of Lens Housing to prevent light leaks.</p> <p>C. FASTENERS Captive tamperproof fasteners. (Torx head standard. For others see Options).</p> <p>D. LENS Per spec. Specify Lenses for Room / Lamp sides. (See Lens Options).</p> <p>E. HOUSING Die formed one piece cold rolled steel Lens Housing with welded seams. (Specify gauge).</p> | <p>F. HINGE Heavy gauge internal security Hinge supports Lens Housing during relamping.</p> <p>G. BALLAST NPF, self-start, Class P Ballast (See Voltage, Ballast Options).</p> <p>H. LAMPS 13W Biax Twin Tube Lamps. See Lamp Options. (Lamps by others).</p> <p>I. FINISH Polyester Powder coat white finish with 92% reflectance.</p> <p>J. UL LISTED Suitable for Damp Locations.</p> |
|--|---|

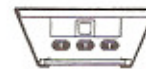
LAMP SELECTION



LAMPS: (1) 13W BIAx



LAMPS: (2) 13W BIAx



LAMPS: (3) 13W BIAx

ORDERING INFORMATION

DSB-11 -

| GAUGE | No. of LAMPS | WATTAGE | VOLTAGE | BALLAST | LENS OPTION | OPTIONS |
|------------|--------------|-------------|---------------|---------------|--------------------------------|----------------------------|
| T=12 Gauge | 1=1 Lamp | 13=13 Watts | 120=120 Volts | EB=Electronic | ROOM SIDE | AH=Allen Head Screws |
| Super Max. | 2=2 Lamps | Biax | 277=277 Volts | Ballast | 18CP=.187"Clear P/C | GF=GLR Fuse |
| F=14 Gauge | 3=3 Lamps | Twin Tube | 347=347 Volts | MB=Magnetic | 25CP=.250"Clear P/C | NL*=Night Light (PL-7or 9) |
| Maximum | | | | Ballast | 37CP=.375"Clear P/C | |
| S=16 Gauge | | | | | 50CP=.500"Clear P/C | |
| Medium | | | | | 18TG=.187"Temp.Glass | |
| E=18 Gauge | | | | | 25TG=.250"Temp.Glass | |
| Minimum | | | | | 37TG=.375"Temp.Glass | (More than one Option |
| Security | | | | | 50TG=.500"Temp.Glass | can be specified) |
| | | | | | LAMP SIDE | * - Consult Factory |
| | | | | | 12PA=.125"Prism. Acrylic | |
| | | | | | 15PP=.156"Prism. P/C | |
| | | | | | 18PP=.187"Prism. P/C | |
| | | | | | 15PG=.156"Prism. Temp. Glass | |
| | | | | | UO = UV Absorbing Overlay | |
| | | | | | (Other Lens Options Available. | |

EXAMPLE: DSB - 11 - F - 2 - 13 - 277 - MB - 25CP/15PP - AH

DESCRIPTION: DSB - 11 = Series DSB, 1 foot by 1 foot nominal size
 F = 14 Gauge Cold Rolled Steel - Maximum Security
 2 = 2 Lamps
 13 = 13 Watts Biax Twin Tube Lamps
 277 = 277 Volt Operation
 MB = Magnetic Ballast
 25CP/15PP= .250" Thick Clear Polycarbonate on Room Side / .156" Thick Prismatic Polycarbonate on Lamp Side
 AH = Allen Head Screws in Lens Frame

| FIXTURE TYPE | COMMENTS |
|----------------|----------|
| CATALOG NUMBER | DSB-11- |
| JOB NAME | |
| APPROVAL | |
| DATE | |

Dimensions and Specifications subject to change without notice
 Fixture guaranteed for one year against mechanical defects in manufacture.
 2-97 DSB-11