

LIGHTING FOR COMPLEX ENVIRONMENTS

1' X 4'

APPLICATIONS

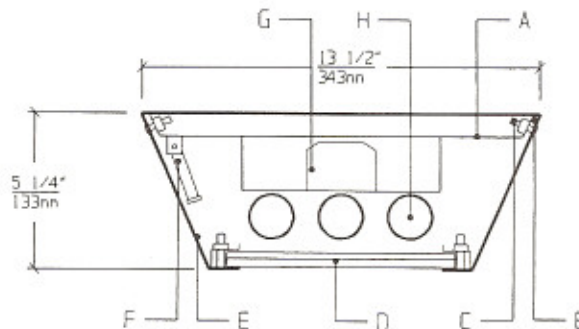
- Detention Cell Lighting
- Prison Day Rooms and Common Areas
- Psychiatric Ward Lighting
- Rehabilitation Centers
- Dormitories

Heavy gauge housings with concealed hinges, unbreakable lenses, tamperproof screws and absence of cracks and crevices make DSB Series ideally suited for DETENTION and SECURITY areas, where physical attack or abuse are expected.

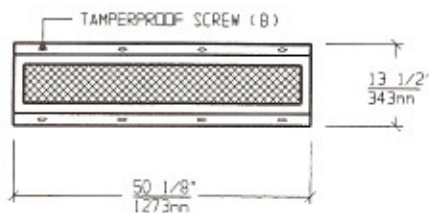
FEATURES

- ♦ Hinged, one piece, heavy gauge Lens Housing
- ♦ 1' X 4' nominal Housing size
- ♦ One piece Backpan with a blade trap
- ♦ Exterior / Interior Lens system provides protection and uniform illumination
- ♦ Tamperproof Screws with captive cage nuts
- ♦ Concealed Hinge to optimize security
- ♦ Removable Power Tray
- ♦ Lens secured to Lens Frame by through studs and heavy gauge steel rails
- ♦ Maximum, Medium, Minimum or Super Maximum security

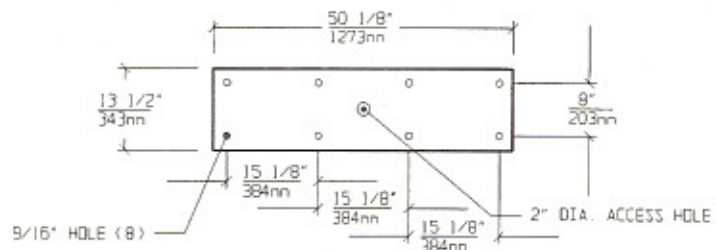
CROSS SECTION



LENS HOUSING DIMENSIONS



TOP VIEW / MOUNTING DIMENSIONS



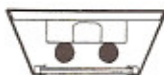
SPECIFICATIONS

- | | |
|--|---|
| <p>A. BACKPAN Die formed cold rolled steel Backpan, with contraband drop slot. Gauge to match Housing.</p> <p>B. GASKET Polyurethane Gasket around inside of Lens Housing to prevent light leaks.</p> <p>C. FASTENERS Captive tamperproof fasteners. (Torx head standard. For others see Options).</p> <p>D. LENS Per spec. Specify Lenses for Room / Lamp sides. (See Lens Options).</p> <p>E. HOUSING Die formed one piece cold rolled steel Lens Housing with welded seams. (Specify gauge).</p> | <p>F. HINGE Heavy gauge internal security Hinge supports Lens Housing during relamping.</p> <p>G. BALLAST HPF, Class P, Energy saving Ballast (See Voltage, Ballast Options).</p> <p>H. LAMPS 32W T-8 or 40W T-12 Lamps. See Lamp Options. (Lamps by others).</p> <p>I. FINISH Polyester Powder coat white finish with 92% reflectance.</p> <p>J. UL LISTED Suitable for Damp Locations.</p> |
|--|---|

LAMP SELECTION



LAMPS: (1) 32W T-8
(1) 40W T-12



LAMPS: (2) 32W T-8
(2) 40W T-12



LAMPS: (3) 32W T-8
(3) 40W T-12

ORDERING INFORMATION

DSB-14 -

GAUGE	No. of LAMPS	WATTAGE	VOLTAGE	BALLAST	LENS OPTION	OPTIONS
T=12 Gauge	1=1 Lamp	32=32 Watts	120=120 Volts	EB=Electronic	ROOM SIDE	AH=Allen Head Screws
Super Max.	2=2 Lamps	(T- 8)	277=277 Volts	Ballast	18CP=.187"Clear P/C	GF=GLR Fuse
F=14 Gauge	3=3 Lamps	40=40 Watts	347=347 Volts	MB=Magnetic	25CP=.250"Clear P/C	NL=Night Light (PL-7or 9)
Maximum		(T-12)		Ballast	37CP=.375"Clear P/C	DB=Dimming Ballast
S=16 Gauge				EB2=(2) Electr.	50CP=.500"Clear P/C	EM=Emergency Lighting
Medium				Ballasts	18TG=.187"Temp.Glass	CW=Cold Weather Ballast
E=18 Gauge				EBH=<10% THD	25TG=.250"Temp.Glass	TCS=Touch Control Switch
Minimum				El. Ballast	37TG=.375"Temp.Glass	(On / Off)
Security					50TG=.500"Temp.Glass	

LAMP SIDE (More than one Option can be specified)

12PA=.125"Prism. Acrylic
 15PP=.156"Prism. P/C
 18PP=.187"Prism. P/C
 15PG=.156"Prism. Temp. Glass
 UO = UV Absorbing Overlay
 (Other Lens Options Available. Consult Factory)

EXAMPLE: DSB - 14 - F - 3 - 32 - 277 - EB - 25CP/15PP - AH - NL

- DESCRIPTION:** DSB - 14 = Series DSB, 1 foot by 4 feet nominal size
 F = 14 Gauge Cold Rolled Steel - Maximum Security
 3 = 3 Lamps
 32 = 32 Watts T-8 Lamps
 277 = 277 Volt Operation
 EB = Electronic Ballast
 25CP/15PP= .250" Thick Clear Polycarbonate on Room Side / .156" Thick Prismatic Polycarbonate on Lamp Side
 AH = Allen Head Screws in Lens Frame
 NL = Night Light for PL - 7 or 9

FIXTURE TYPE		COMMENTS
CATALOG NUMBER	DSB-14-	
JOB NAME		
APPROVAL		
DATE		

Dimensions and Specifications subject to change without notice
 Fixture guaranteed for one year against mechanical defects in manufacture.
 2-97 DSB-14