

LIGHTING FOR COMPLEX ENVIRONMENTS

2' X 2'

APPLICATIONS

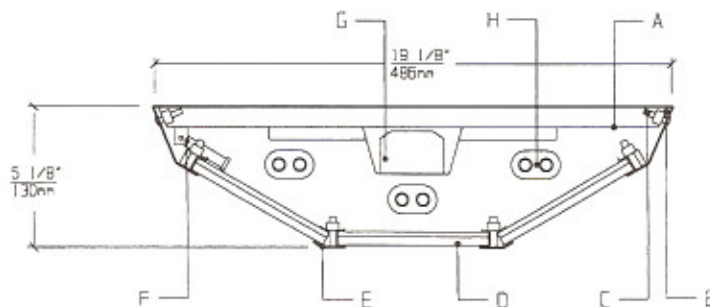
- Detention Cell Lighting
- Prison Day Rooms and Common Areas
- Psychiatric Ward Lighting
- Rehabilitation Centers
- Dormitories

Heavy gauge housings with concealed hinges, unbreakable lenses, tamperproof screws and absence of cracks and crevices make DSD Series ideally suited for DETENTION and SECURITY areas, where physical attack or abuse are expected.

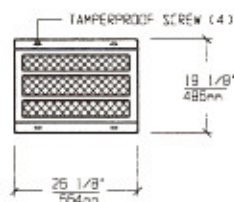
FEATURES

- ♦ Hinged, one piece, heavy gauge Triple Window Housing
- ♦ Maximum, Medium, Minimum or Super Maximum security
- ♦ One piece Backpan with a blade trap
- ♦ Exterior / Interior Lens system provides protection and uniform illumination
- ♦ Tamperproof Screws with captive cage nuts
- ♦ Concealed Hinge to optimize security
- ♦ Removable Power Tray
- ♦ Lens secured to Lens Frame by through studs and heavy gauge steel rails
- ♦ Triple Window Housing for extra wide light distribution

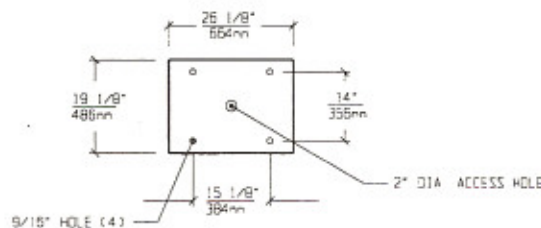
CROSS SECTION



LENS HOUSING DIMENSIONS



TOP VIEW / MOUNTING DIMENSIONS



SPECIFICATIONS

- | | |
|--|---|
| <p>A. BACKPAN Die formed cold rolled steel Backpan, with contraband drop slot. Gauge to match Housing.</p> <p>B. GASKET Polyurethane Gasket around inside of Lens Housing to prevent light leaks.</p> <p>C. FASTENERS Captive tamperproof fasteners. (Torx head standard. For others see Options).</p> <p>D. LENS Per spec. Specify Lenses for Room / Lamp sides. (See Lens Options).</p> <p>E. HOUSING Die formed one piece cold rolled steel Lens Housing with welded seams. (Specify gauge).</p> | <p>F. HINGE Heavy gauge internal security Hinge supports Lens Housing during relamping.</p> <p>G. BALLAST HPF, Class P, Energy saving Ballast (See Voltage, Ballast Options).</p> <p>H. LAMPS 17W T-8, 20W T-12 or 40W Biax Lamps. See Lamp Options. (Lamps by others).</p> <p>I. FINISH Polyester Powder coat white finish with 92% reflectance.</p> <p>J. U.L. LISTED Suitable for Damp Locations.</p> |
|--|---|

LAMP SELECTION



LAMPS: (2) 17W T-8
(2) 20W T-12



LAMPS: (3) 17W T-8
(3) 20W T-12



LAMPS: (4) 17W T-8
(4) 20W T-12

ORDERING INFORMATION

DSD-22 -

GAUGE	No. of LAMPS	WATTAGE	VOLTAGE	BALLAST	LENS OPTION	OPTIONS
T=12 Gauge	2=2 Lamp	17=17 Watts	120=120 Volts	EB=Electronic	ROOM SIDE	AH=Allen Head Screws
Super Max.	3=3 Lamps	(T- 8)	277=277 Volts	Ballast	18CP=.187"Clear P/C	GF=GLR Fuse
F=14 Gauge	4=4 Lamps	20=20 Watts	347=347 Volts	MB=Magnetic	25CP=.250"Clear P/C	NL=Night Light (PL-7or 9)
Maximum		(T-12)		Ballast	37CP=.375"Clear P/C	DB=Dimming Ballast
S=16 Gauge		40BX=40 Watts		EB2=(2) Electr.	50CP=.500"Clear P/C	EM=Emergency Lighting
Medium		Biax Twin Tube		Ballasts	18TG=.187"Temp.Glass	CW=Cold Weather Ballast
E=18 Gauge				EBH=<10% THD	25TG=.250"Temp.Glass	
Minimum				El. Ballast	37TG=.375"Temp.Glass	(More than one Option
Security					50TG=.500"Temp.Glass	can be specified)

LAMP SIDE

- 12PA=.125"Prism. Acrylic
- 15PP=.156"Prism. P/C
- 18PP=.187"Prism. P/C
- 15PG=.156"Prism. Temp. Glass
- UO = UV Absorbing Overlay
- (Other Lens Options Available. Consult Factory)

EXAMPLE: DSD - 22 - F - 2 - 40BX - 277 - EB - 25CP/15PP - AH

- DESCRIPTION: DSD - 22 = Series DSD, 2 feet by 2 feet nominal size
- F = 14 Gauge Cold Rolled Steel - Maximum Security
- 2 = 2 Lamps
- 40BX = 40 Watts Biax Lamps
- 277 = 277 Volt Operation
- EB = Electronic Ballast
- 25CP/15PP= .250" Thick Clear Polycarbonate on Room Side / .156" Thick Prismatic Polycarbonate on Lamp Side
- AH = Allen Head Screws in Lens Frame

FIXTURE TYPE		COMMENTS
CATALOG NUMBER	DSD-22-	
JOB NAME		
APPROVAL		
DATE		

Dimensions and Specifications subject to change without notice
 Fixture guaranteed for one year against mechanical defects in manufacture.
 2-97 DSD-22