

**LIGHTING FOR COMPLEX ENVIRONMENTS**

**APPLICATIONS**

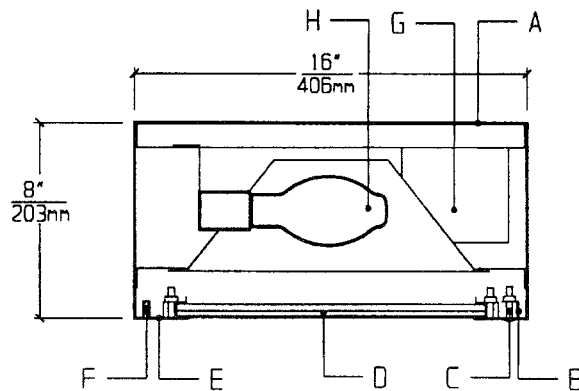
- Detention Cell Lighting
- Prison Day Rooms and Common Areas
- Psychiatric Ward Lighting
- Rehabilitation Centers
- Transit Platforms

Heavy gauge housings with concealed hinges, unbreakable lenses, tamperproof screws and absence of cracks and crevices make DSH Series ideally suited for DETENTION and SECURITY areas, where physical attack or abuse are expected.

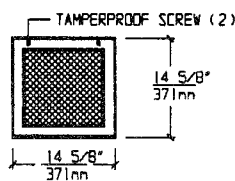
**FEATURES**

- Heavy gauge Housing and Lens Frame
- 16" x 16" nominal Housing size
- One piece Lens Frame with tightly closed corners
- Exterior / Interior Lens system provides protection and uniform illumination
- Tamperproof Screws with captive cage nuts
- Concealed Hinge to optimize security
- Removable Reflector
- Lens secured to Lens Frame by through studs and heavy gauge steel rails
- Maximum, Medium, Minimum or Super Max. security

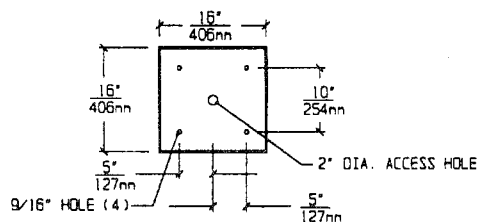
**CROSS SECTION**



**LENS FRAME DIMENSIONS**



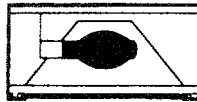
**TOP VIEW**



**SPECIFICATIONS**

<b>A. HOUSING</b>	Die formed cold rolled steel Housing, with welded seams. Specify gauge. (See Options).	<b>F. HINGE</b>	Heavy gauge concealed continuous piano hinge with welded pin ends.
<b>B. GASKET</b>	Polyurethane Gasket around inside of Lens Frame to prevent light leaks.	<b>G. BALLAST</b>	ETL / CBM certified, HPF ballast, securely mounted to ensure low operating temperature and long life..
<b>C. FASTENERS</b>	Captive tamperproof fasteners. (Torx head standard. For others see Options).	<b>H. LAMPS</b>	Metal Halide, High Pressure Sodium, Mercury Vapor. See Lamp Options. (Lamps by others).
<b>D. LENS</b>	Per spec. Specify Lenses for Room / Lamp sides. (See Lens option).	<b>I. FINISH</b>	Polyester Powder coat white finish with 92% reflectance.
<b>E. LENS FRAME</b>	Die formed one piece cold rolled steel Lens Frame in heavy gauge to match Housing.	<b>J. UL LISTED</b>	Suitable for Wet Locations.

**LAMP SELECTION**



LAMPS: (1) up to 175W HPS, Metal Halide or Mercury Vapor

**ORDERING INFORMATION**

**DSH-16 -**

GAUGE	WATTAGE	LAMP TYPE	VOLTAGE	LENS OPTION	OPTIONS
T=12 Gauge Super Max.	70=70 W 100=100 W	M=Metal Halide S=High Pressure Sodium	120=120 Volts 208=208 Volts 240=340 Volts	<b>ROOM SIDE</b> 18CP=.187" Clear P/C 25CP=.250" Clear P/C 37CP=.375" Clear P/C 50CP=.500" Clear P/C	AH=Allen Head Screws GF=GLR Fuse QS=Quartz Socket (DCB) QR=Quartz Restrike Sys.
F=14 Gauge Maximum	150=150 W 175=175 W	MV=Mercury Vapor	277=277 Volts DT=Dual Tap QT=Quad Tap	18TG=.187" Temp. Glass 25TG=.250" Temp. Glass 37TG=.375" Temp. Glass 50TG=.500" Temp. Glass	(More than one Option can be specified)
S=16 Gauge Medium				<b>LAMP SIDE</b> 15PP=.156" Prism P/C 18PP=.187" Prism P/C 15PG=.156" Prism. Temp. Glass	
E=18 Gauge Minimum				DP=Dropped Polycarbonate Refractor (Other Lens Options Available. Consult Factory)	

**EXAMPLE: DSH - 16 - F - 150 - M - 277 - 25CP/15PG - AH**

**DESCRIPTION:** DSH -16 = Series DSH, 16 X 16 inches nominal size  
 F = 14 Gauge Cold Rolled Steel - Maximum Security  
 150 = 150 Watts  
 M = Metal Halide lamp  
 277 = 277 Volt Operation  
 25CP/15PG = .250" Thick Clear Polycarbonate on Room Side / .156" Thick Prismatic Tempered Glass on Lamp Side  
 AH = Allen Head Screws in Lens Frame

FIXTURE TYPE		COMMENTS
CATALOG NUMBER	DSH-16-	
JOB NAME		
APPROVAL		
DATE		

Dimensions and Specifications subject to change without notice  
 Fixture guaranteed for one year against mechanical defects in manufacture.  
 Copyright 2-99 DSH-16