

LIGHTING FOR COMPLEX ENVIRONMENTS

APPLICATIONS

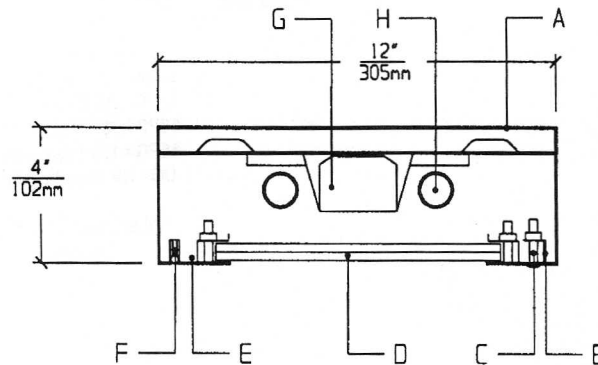
- Detention Cell Lighting
- Prison Day Rooms and Common Areas
- Psychiatric Ward Lighting
- Rehabilitation Centers
- Dormitories

Heavy gauge housings with concealed hinges, unbreakable lenses, tamperproof screws and absence of cracks and crevices make DSK Series ideally suited for DETENTION and SECURITY areas, where physical attack or abuse are expected.

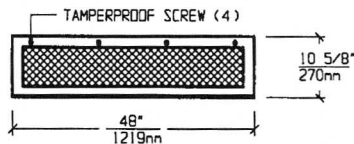
FEATURES

- Heavy gauge Housing, 4 in. high
- Contraband Tray
- 1' x 4' nominal Housing size
- One Piece Lens Frame with tightly closed corners
- Exterior / Interior Lens system provides protection and uniform illumination
- Tamperproof Screws with captive cage nuts
- Concealed Hinge to optimize security
- Removable Power Tray
- Lens secured to Lens Frame by through studs and heavy gauge steel rails
- Maximum, Medium, Minimum or Super Maximum security

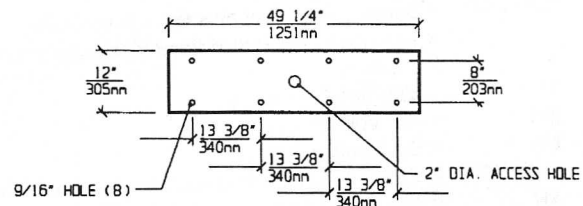
CROSS SECTION



LENS FRAME DIMENSIONS



TOP VIEW



SPECIFICATIONS

A. HOUSING	Die formed cold rolled steel Housing, with welded seams. Specify gauge. (See Options).	F. HINGE	Heavy gauge concealed continuous piano hinge with irremovable hinge pin.
B. GASKET	Polyurethane Gasket around inside of Lens Frame to prevent light leaks.	G. BALLAST	HPF, Class P, Energy saving Ballast (See Voltage, Ballast Options).
C. FASTENERS	Captive tamperproof fasteners. (Torx head standard. For others see Options).	H. LAMPS	32W T-8, 54W T-5 HO or 40W T-12 Lamps. See Lamp Options (Lamps by others).
D. LENS	Per spec. Specify Lenses for Room / Lamp sides. (See Lens Options).	I. FINISH	Polyester Powder coat white finish with 92% reflectance.
E. LENS FRAME	Die formed one piece cold rolled steel Lens Frame in heavy gauge to match Housing.	J. UL LISTED	Suitable for Damp Locations.

LAMP SELECTION



LAMPS: (2) 32W T-8
(2) 54W T-5 HO
(2) 40W T-12

ORDERING INFORMATION

DSK-14 -

GAUGE	No. of LAMPS	WATTAGE	VOLTAGE	BALLAST	LENS OPTION	OPTIONS
T=12 Gauge Super Max.	2=2 Lamps	32=32 Watts (T - 8)	120=120 Volts 277=277 Volts	EB=Electronic Ballast	ROOM SIDE 18CP=.187"Clear P/C	AH=Allen Head Screws GF=GLR Fuse
F=14 Gauge Maximum		40=40 Watts (T - 12)	347=347 Volts UNV=120/277 Volts	MB=Magnetic EB2=(2) Electr. Ballasts	25CP=.250"Clear P/C 37CP=.375"Clear P/C 50CP=.500"Clear P/C	EM=Emergency Lighting) DB=Dimming Ballast CW=Cold Weather Ballast
S=16 Gauge Medium		54=54 Watts (T - 5 HO)		EBH=<10% THD El. Ballast	18TG=.187"Temp.Glass 25TG=.250"Temp.Glass	(More than one Option can be specified)
E=18 Gauge Minimum Security				PR=Program Rapid Start	37TG=.375"Temp.Glass 50TG=.500"Temp.Glass	

LAMP SIDE
12PA=.125"Prism.Acrylic
15PP=.156"Prism. P/C
18PP=.187"Prism. P/C
15PG=.156"Prism.Temp.Glass
UO= UV Absorbing Overlay

(Other Lens Options Available.
Consult Factory)

EXAMPLE: DSK - 14 - F - 2 - 32 - 277 - EB - 25CP/15PP - AH

DESCRIPTION: DSK - 14 = Series DSK, 1 foot by 4 feet nominal size
 F = 14 Gauge Cold Rolled Steel Maximum Security
 2 = 2 Lamps
 32 = 32 Watts T-8 Lamps
 277 = 277 Volt Operation
 EB = Electronic Ballast
 25CP/15PP = .250" Thick Clear Polycarbonate on Room Side / .156" Thick Polycarbonate on Lamp Side
 AH = Allen Head Screws in Lens Frame

FIXTURE TYPE		COMMENTS
CATALOG NUMBER	DSK-14-	
JOB NAME		
APPROVAL		
DATE		

Dimensions and Specifications subject to change without notice
 Fixture guaranteed for one year against mechanical defects in manufacture.
 2-06 DSK-14