

**LIGHTING FOR COMPLEX ENVIRONMENTS**

**APPLICATIONS**

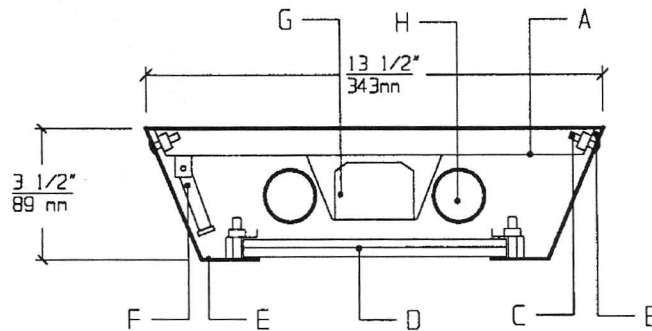
- Detention Cell Lighting
- Prison Day Rooms and Common Areas
- Psychiatric Ward Lighting
- Rehabilitation Centers
- Dormitories

Heavy gauge housings with concealed hinges, unbreakable lenses, tamperproof screws and absence of cracks and crevices make DSL Series ideally suited for DETENTION and SECURITY areas, where physical attack or abuse are expected.

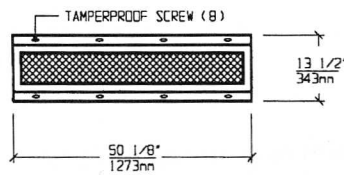
**FEATURES**

- Hinged, one piece, heavy gauge Lens Housing
- 1' x 4' nominal Housing size
- One Piece Backpan with a blade trap
- Exterior / Interior Lens system provides protection and uniform illumination
- Tamperproof Screws with captive cage nuts
- Concealed Hinge to optimize security
- Removable Power Tray
- Lens secured to Lens Frame by through studs and heavy gauge steel rails
- Maximum, Medium, Minimum or Super Maximum security

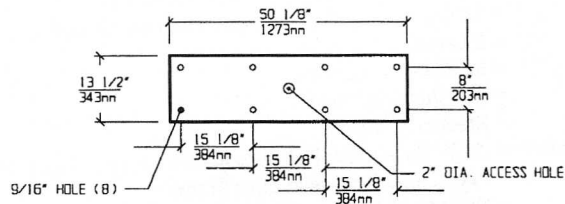
**CROSS SECTION**



**LENS FRAME DIMENSIONS**



**TOP VIEW**



**SPECIFICATIONS**

<p><b>A. BACKPAN</b> Die formed cold rolled steel Backpan, with contraband drop slot. Gauge to match Housing.</p> <p><b>B. GASKET</b> Polyurethane Gasket around inside of Lens Housing to prevent light leaks.</p> <p><b>C. FASTNERS</b> Captive tamperproof fasteners. (Torx head standard. For others see Options).</p> <p><b>D. LENS</b> Per spec. Specify Lenses for Room / Lamp sides. (See Lens Options).</p> <p><b>E. HOUSING</b> Die formed one piece cold rolled steel Lens Housing with welded seams. (Specify gauge).</p>	<p><b>F. HINGE</b> Heavy gauge internal security Hinge supports Lens Housing during relamping.</p> <p><b>G. BALLAST</b> HPF, Class P, Energy saving Ballast (See Voltage, Ballast Options).</p> <p><b>H. LAMPS</b> 32W T-8, 40W T-12 or 54W T-5HO Lamps. See Lamp Options (Lamps by others).</p> <p><b>I. FINISH</b> Polyester Powder coat white finish with 92% reflectance.</p> <p><b>J. UL LISTED</b> Suitable for Damp Locations.</p>
---	---

**LAMP SELECTION**



LAMPS: (2) 32W T-8  
(2) 40W T-12  
(2) 54W T-5HO

**ORDERING INFORMATION**

**DSL-14 -**

GAUGE	No. of LAMPS	WATTAGE	VOLTAGE	BALLAST	LENS OPTION	OPTIONS
T=12 Gauge Super Max.	2=1 Lamps	32=32 Watts (T - 8)	120=120 Volts 277=277 Volts	EB=Electronic Ballast	<b>ROOM SIDE</b> 18CP=.187"Clear P/C	AH=Allen Head Screws GF=GLR Fuse
F=14 Gauge Maximum		40=40 Watts (T - 12)	347=347 Volts	MB=Magnetic EB2=(2) Electr. Ballasts	25CP=.250"Clear P/C 37CP=.375"Clear P/C 50CP=.500"Clear P/C	NL=Night Light (PL-7 or 9) DB=Dimming Ballast EM=Emergency Lighting
S=16 Gauge Medium		54=54 Watts (T - 5HO)		EBH=<10% THD El. Ballast	18TG=.187"Temp.Glass 25TG=.250"Temp.Glass 37TG=.375"Temp.Glass 50TG=.500"Temp.Glass	CW=Cold Weather Ballast TCS=Touch Control Switch (On / Off) (More than one Option can be specified)
E=18 Gauge Minimum Security						

**LAMP SIDE**  
 12PA=.125"Prism.Acrylic  
 15PP=.156"Prism. P/C  
 18PP=.187"Prism. P/C  
 15PG=.156"Prism.Temp.Glass  
 UO= UV Absorbing Overlay  
 (Other Lens Options Available. Consult Factory)

**EXAMPLE: DSL - 14 - F - 2 - 32 - 277 - EB - 25CP/15PP - AH - NL**

**DESCRIPTION:** DSL - 14 = Series DSL, 1 foot by 4 feet nominal size  
 F = 14 Gauge Cold Rolled Steel Maximum Security  
 2 = 2 Lamps  
 32 = 32 Watts T-8 Lamps  
 277 = 277 Volt Operation  
 EB = Electronic Ballast  
 25CP/15PP = .250" Thick Clear Polycarbonate on Room Side / .156" Thick Polycarbonate on Lamp Side  
 AH = Allen Head Screws in Lens Frame  
 NL = Night Light for PL - 7 or 9

FIXTURE TYPE		COMMENTS
CATALOG NUMBER	DSL-14-	
JOB NAME		
APPROVAL		
DATE		

Dimensions and Specifications subject to change without notice  
 Fixture guaranteed for one year against mechanical defects in manufacture.  
 2-06 DSL-14