

**LIGHTING FOR COMPLEX ENVIRONMENTS**

**2 ft. long**

**APPLICATIONS**

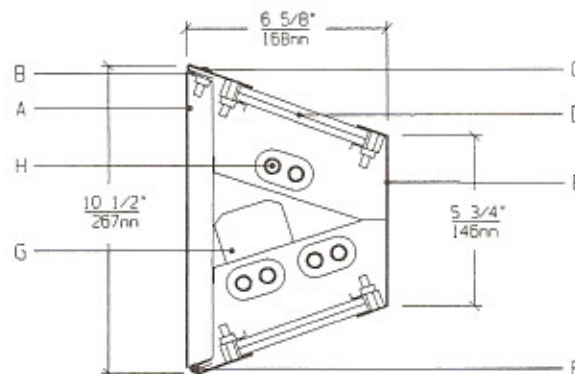
- Detention Cell Lighting
- Prison Day Rooms and Common Areas
- Psychiatric Ward Lighting
- Rehabilitation Centers
- Dormitories

Heavy gauge housings with concealed hinges, unbreakable lenses, tamperproof screws and absence of cracks and crevices make DWB Series ideally suited for DETENTION and SECURITY areas, where physical attack or abuse are expected.

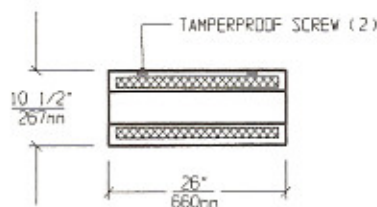
**FEATURES**

- ◆ Hinged, one piece, heavy gauge Lens Housing
- ◆ Maximum, Medium, Minimum or Super Maximum security
- ◆ One piece Backplate with a blade trap
- ◆ Exterior / Interior Lens system provides protection and uniform illumination
- ◆ Tamperproof Screws with captive cage nuts
- ◆ Concealed Hinge with welded pin end to optimize security
- ◆ Removable Power Tray
- ◆ Lens secured to Lens Housing by through studs and heavy gauge steel rails
- ◆ Uplight and Downlight can be switched independently

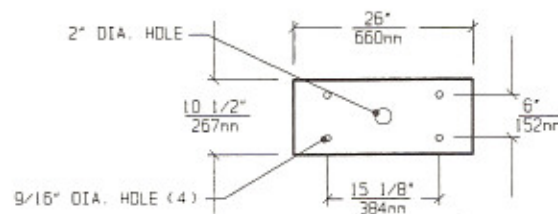
**CROSS SECTION**



**LENS HOUSING DIMENSIONS**



**BACK VIEW / MOUNTING DIMENSIONS**



**SPECIFICATIONS**

- |  |   |
|--|---|
| <p><b>A. BACKPLATE</b> Die formed cold rolled steel Backplate, with contraband drop slot. Gauge to match Housing.</p> <p><b>B. GASKET</b> Polyurethane Gasket around inside of Lens Housing to prevent light leaks.</p> <p><b>C. FASTENERS</b> Captive tamperproof fasteners. (Torx head standard. For others see Options).</p> <p><b>D. LENS</b> Per spec. Specify Lenses for Room / Lamp sides. (See Lens Options).</p> <p><b>E. HOUSING</b> Die formed one piece cold rolled steel Lens Housing with welded seams. (Specify gauge).</p> | <p><b>F. HINGE</b> Heavy gauge internal security Hinge supports Lens Housing during relamping.</p> <p><b>G. BALLAST</b> HPF, Class P, Energy saving (See Voltage, Ballast Options).</p> <p><b>H. LAMPS</b> 17W T-8, 20W T-12 or 40W Biax Twin Tube Lamps. See Lamp Options. (Lamps by others).</p> <p><b>I. FINISH</b> Polyester Powder coat white finish with 92% reflectance.</p> <p><b>J. UL LISTED</b> Suitable for Damp Locations.</p> |
|--|---|

**LAMP SELECTION**



LAMPS: (1) Up / (1) Down  
17W T-8 or 20W T-12



LAMPS: (1)Up / (2)Down  
17W T-8 or 20W T-12



LAMPS: (2) Up / (1) Down  
17W T-8 or 20W T-12



LAMPS: (2) Up / (2) Down  
17W T-8 or 20W T-12



LAMPS: (1) Up / (1) Down  
40W BIAx



LAMPS: (1)Up / (2)Down  
40W BIAx



LAMPS: (2) Up / (1) Down  
40W BIAx

**ORDERING INFORMATION**

**DWB-2**

GAUGE	No. of LAMPS	WATTAGE	VOLTAGE	BALLAST	LENS OPTIONS	OPTIONS
T=12 Gauge	UP / DOWN	17=17Watts	120=120Volts	EB=Electronic	ROOM SIDE	AH = Allen Head Screws
Super Max.	1=1 Lamp	(T-8)	277=277Volts	Ballast	18CP=.187"Clear P/C	GF = GLR Fuse
F=14 Gauge	2=2 Lamps	20=20Watts	347=347Volts	MB=Magnetic	25CP=.250"Clear P/C	NL = Night Light (PL-7or 9)
Maximum		(T-12)		Ballast	37CP=.375"Clear P/C	DB = Dimming Ballast
S=16 Gauge		40BX=40Watts		EB2=(2) Electr.	50CP=.500"Clear P/C	CW = Cold Weather Ballast
Medium		Biax Twin Tube		Ballasts	18TG=.187"Temp.Glass	
E=18 Gauge		(3 Biax Lamps Max.)		MB2=(2) Magnet.	25TG=.250"Temp.Glass	
Minimum				Ballasts	37TG=.375"Temp.Glass	(More than one Option
Security				EBH=<10% THD	50TG=.500"Temp.Glass	can be specified)
				El. Ballast		

**LAMP SIDE**  
 12PA=.125"Prism. Acrylic  
 15PP=.156"Prism. P/C  
 18PP=.187"Prism. P/C  
 15PG=.156"Prism. Temp. Glass  
 UO = UV Absorbing Overlay  
 (Other Lens Options Available.  
 Consult Factory)

**EXAMPLE: DWB - 2 - F - 1/2 - 40BX - 277 - EB - 25CP/15PP - AH**

**DESCRIPTION:** DWB - 2 = Series DWB, 2 feet nominal size  
 F = 14 Gauge Cold Rolled Steel - Maximum Security  
 1/2 = 1 Lamp Up and 2 Lamps Down  
 40BX = 40 Watts Biax Twin Tube Lamps  
 277 = 277 Volt Operation  
 EB = Electronic Ballast  
 25CP/15PP= .250" Thick Clear Polycarbonate on Room Side / .156" Thick Prismatic Polycarbonate on Lamp Side  
 AH = Allen Head Screws in Lens Housing

FIXTURE TYPE		COMMENTS
CATALOG NUMBER	DWB-2-	
JOB NAME		
APPROVAL		
DATE		

Dimensions and Specifications subject to change without notice  
 Fixture guaranteed for one year against mechanical defects in manufacture.  
 2-97 DWB-2