

LIGHTING FOR COMPLEX ENVIRONMENTS

3 ft long

APPLICATIONS

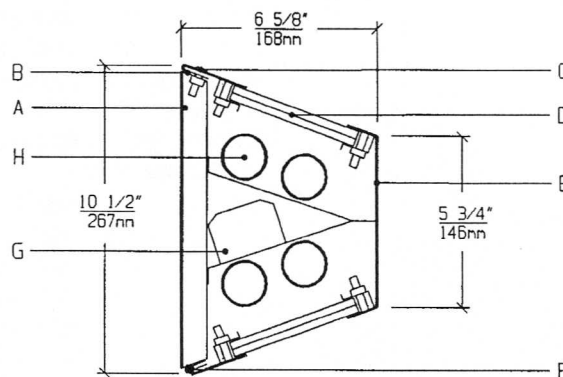
- Detention Cell Lighting
- Prison Day Rooms and Common Areas
- Psychiatric Ward Lighting
- Rehabilitation Centers
- Dormitories

Heavy gauge housings with concealed hinges, unbreakable lenses, tamperproof screws and absence of cracks and crevices make DWB Series ideally suited for DETENTION and SECURITY areas, where physical attack or abuse are expected.

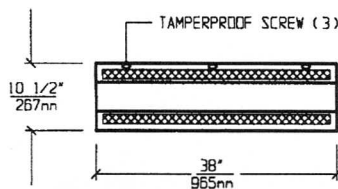
FEATURES

- Hinged, one piece, heavy gauge Lens Housing
- Maximum, Medium, or Minimum or Super Maximum security
- One piece Backplate with a blade trap
- Exterior / Interior Lens system provides protection and uniform illumination
- Tamperproof Screws with captive cage nuts
- Concealed Hinge with welded pin end to optimize security
- Removable Power Tray
- Lens secured to Lens Housing by through studs and heavy gauge steel rails
- Uplight and Downlight can be switched independently

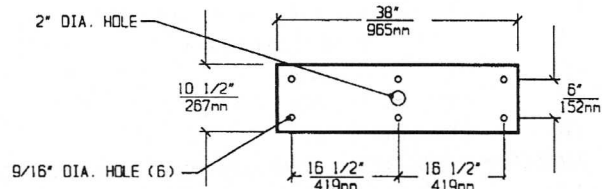
CROSS SECTION



LENS HOUSING DIMENSIONS



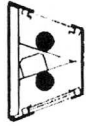
BACK VIEW / MOUNTING DIMENSIONS



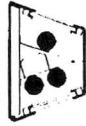
SPECIFICATIONS

<p>A. BACKPLATE Die formed cold rolled steel Backplate, with contraband drop slot. Gauge to match Housing.</p> <p>B. GASKET Polyurethane Gasket around inside of Lens Housing to prevent light leaks.</p> <p>C. FASTENERS Captive tamperproof fasteners. (Torx head standard. For others see Options).</p> <p>D. LENS Per spec. Specify Lenses for Room / Lamp sides. (See Lens Options).</p> <p>E. HOUSING Die formed one piece cold rolled steel Lens Housing with welded seams. (Specify gauge).</p>	<p>F. HINGE Heavy gauge internal security Hinge supports Lens Housing during relamping.</p> <p>G. BALLAST HPF, Class P, Energy saving Ballast (See Voltage, Ballast Options).</p> <p>H. LAMPS 25W T-8 Lamps. See Lamp Options (Lamps by others).</p> <p>I. FINISH Polyester Powder coat white finish with 92% reflectance.</p> <p>J. UL LISTED Suitable for Damp Locations.</p>
--	--

LAMP SELECTION



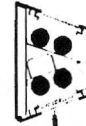
LAMPS: (1) Up / (1) Down
25W T-8



LAMPS: (1) Up / (2) down
25W T-8



LAMPS: (2) Up / (1) Down
25W T-8



LAMPS: (2) Up / (2) Down
25W T-8

ORDERING INFORMATION

DWB-3 - _____ - _____ / _____ - _____ - _____ - _____ / _____ - _____						
GAUGE	No. of Lamps	WATTAGE	VOLTAGE	BALLAST	LENS OPTION	OPTIONS
T=12 Gauge Super Max. Security	UP / DOWN 1=1 Lamp	25=25 Watts (T-8)	120=120 Volts 277=277 Volts 347=347 Volts	EB=Electronic Ballast MB=Magnetic Ballast	ROOM SIDE 18CP=.187"Clear P/C 25CP=.250"Clear P/C 37CP=.375"Clear P/C	AH=Allen Head Screws GF=GLR Fuse NL=Night Light (PL-7 or 9) DB=Dimming Ballast
F=14 Gauge Maximum Security	2=2 Lamps			EB2=(2) Electronic Ballasts	50CP=.500"Clear P/C 18TG=.187"Temp.Glass	EM=Emergency Lighting CW=Cold Weather Ballast
S=16 Gauge Medium Security				MB2=(2) Magnetic Ballasts	25TG=.250"Temp.Glass 37TG=.375"Temp.Glass	(More than one Option can be specified)
E=18 Gauge Minimum Security				EBH=<10% THD El. Ballast	50TG=.500"Temp.Glass	
					LAMP SIDE 12PA=.125"Prism. Acrylic 15PP=.156"Prism. P/C 18PP=.187"Prism. P/C 15PG=.156"Prism. Temp. Glass UO = UV Absorbing Overlay (Other Lens Options Available. Consult Factory)	

EXAMPLE: DWB - 3 - F - 1/2 - 25 - 277 - EB - 25CP/15PP - AH

- DESCRIPTION: **DWB - 3** = Series DWB, 3 feet nominal size
F = 14 Gauge Cold Rolled Steel - Maximum Security
1/2 = 1 Lamp Up and 2 Lamps Down
25 = 25 Watts T-8 Lamps
277 = 277 Volt Operation
EB = Electronic Ballast
25CP/15PP = .250" Thick Clear Polycarbonate on Room Side / .156" Thick Prismatic Polycarbonate on Lamp Side
AH = Allen Head Screws in Lens Frame

FIXTURE TYPE		COMMENTS
CATALOG NUMBER	DWB-3-	
JOB NAME		
APPROVAL		
DATE		

Dimensions and Specifications subject to change without notice
 Fixture guaranteed for one year against mechanical defects in manufacture.
 2-99 DWB-3