

LIGHTING FOR COMPLEX ENVIRONMENTS

1 ft. long

APPLICATIONS

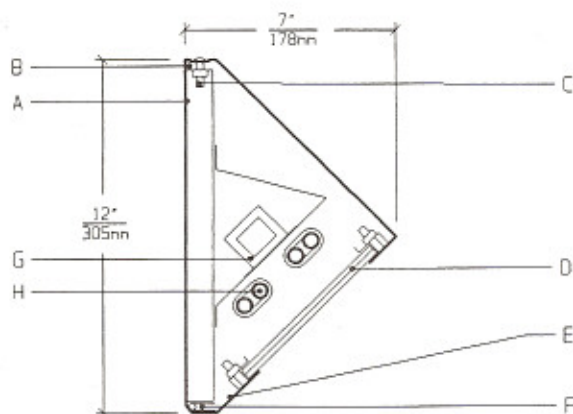
- Detention Cell Lighting
- Prison Day Rooms and Common Areas
- Psychiatric Ward Lighting
- Rehabilitation Centers
- Dormitories

Heavy gauge housings with concealed hinges, unbreakable lenses, tamperproof screws and absence of cracks and crevices make DWL Series ideally suited for DETENTION and SECURITY areas, where physical attack or abuse are expected.

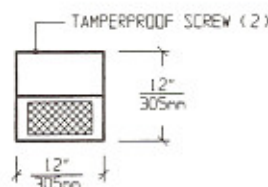
FEATURES

- ♦ Hinged, one piece, heavy gauge Lens Housing
- ♦ 1 foot nominal Housing size
- ♦ One piece Backplate with a blade trap
- ♦ Exterior / Interior Lens system provides protection and uniform illumination
- ♦ Tamperproof Screws with captive cage nuts
- ♦ Concealed Hinge with welded pin end to optimize security
- ♦ Removable Power Tray
- ♦ Lens secured to Lens Housing by through studs and heavy gauge steel rails
- ♦ Maximum, Medium, Minimum or Super Maximum security

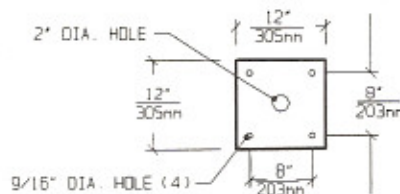
CROSS SECTION



LENS HOUSING DIMENSIONS



BACK VIEW / MOUNTING DIMENSIONS



SPECIFICATIONS

A. BACKPLATE	Die formed cold rolled steel Backplate, with contraband drop slot. Gauge to match Housing.	F. HINGE	Heavy gauge internal security Hinge supports Lens Housing during relamping.
B. GASKET	Polyurethane Gasket around inside of Lens Housing to prevent light leaks.	G. BALLAST	NPF, self-start, Class P, Ballast (See Voltage, Ballast Options).
C. FASTENERS	Captive tamperproof fasteners. (Torx head standard. For others see Options).	H. LAMPS	13W Twin Tube, 18W, 26W or 28W Quad Lamps. See Lamp Options. (Lamps by others).
D. LENS	Per spec. Specify Lenses for Room / Lamp sides. (See Lens Options).	I. FINISH	Polyester Powder coat white finish with 92% reflectance.
E. HOUSING	Die formed one piece cold rolled steel Lens Housing with welded seams. (Specify gauge).	J. UL LISTED	Suitable for Damp Locations.

LAMP SELECTION



LAMPS: (1) 13W Twin Tube



LAMPS: (2) 13W Twin Tube



LAMPS: (1) 18W Quad Tube
(1) 26W Quad Tube
(1) 28W Quad Tube



LAMPS: (2) 18W Quad Tube
(2) 26W Quad Tube
(2) 28W Quad Tube

ORDERING INFORMATION

DWL-1 -

GAUGE	No. of LAMPS	WATTAGE	VOLTAGE	BALLAST	LENS OPTIONS	OPTIONS
T=12 Gauge	1=1 Lamp	13=13Watts	120=120Volts	EB=Electronic	ROOM SIDE	AH = Allen Head Screws
Super Max.	2=2 Lamps	Twin Tube	277=277Volts	Ballast	18CP=.187"Clear P/C	GF = GLR Fuse
F=14 Gauge		18=18Watts	347=347Volts	MB=Magnetic	25CP=.250"Clear P/C	NL = Night Light (PL-7or 9)
Maximum		Quad Tube		Ballast	37CP=.375"Clear P/C	
S=16 Gauge		26=26Watts			50CP=.500"Clear P/C	
Medium		Quad Tube			18TG=.187"Temp.Glass	
E=18 Gauge		28=28Watts			25TG=.250"Temp.Glass	
Minimum		Quad Tube			37TG=.375"Temp.Glass	(More than one Option
Security					50TG=.500"Temp.Glass	can be specified)

LAMP SIDE

- 12PA=.125"Prism. Acrylic
- 15PP=.156"Prism. P/C
- 18PP=.187"Prism. P/C
- 15PG=.156"Prism. Temp. Glass
- UO = UV Absorbing Overlay
- (Other Lens Options Available. Consult Factory)

EXAMPLE: DWL - 1 - F - 2 - 13 - 277 - MB - 25CP/15PP - AH

- DESCRIPTION:**
- DWL - 1 = Series DWL, 1 foot nominal size
 - F = 14 Gauge Cold Rolled Steel - Maximum Security
 - 2 = 2 Lamps
 - 13 = 13 Watts Biax Twin Tube
 - 277 = 277 Volt Operation
 - MB = Magnetic Ballast
 - 25CP/15PP= .250" Thick Clear Polycarbonate on Room Side / .156" Thick Prismatic Polycarbonate on Lamp Side
 - AH = Allen Head Screws in Lens Housing

FIXTURE TYPE		COMMENTS
CATALOG NUMBER	DWL-1-	
JOB NAME		
APPROVAL		
DATE		

Dimensions and Specifications subject to change without notice
 Fixture guaranteed for one year against mechanical defects in manufacture.
 2-97 DWL-1