

LIGHTING FOR COMPLEX ENVIRONMENTS

APPLICATIONS

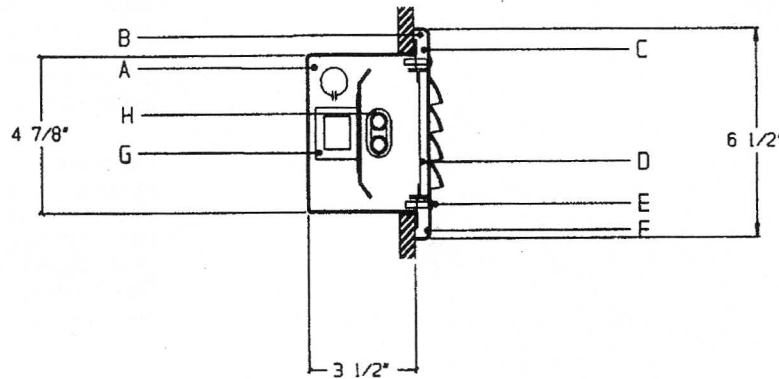
- Detention Cell Lighting
- Prison Day Rooms and Common Areas
- Psychiatric Ward Lighting
- Rehabilitation Centers
- Dormitories

Heavy gauge housings with concealed hinges, unbreakable lenses, tamperproof screws and absence of cracks and crevices make DWZ Series ideally suited for DETENTION and SECURITY areas, where physical attack or abuse are expected.

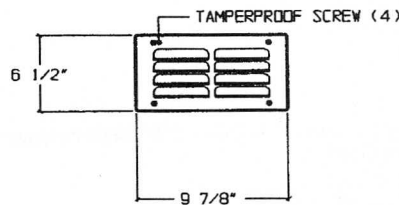
FEATURES

- Hinged, one piece, heavy gauge Lens Housing
- Maximum, Medium, or Minimum security
- One piece Lens Frame with optional Louver
- Exterior / Interior Lens system provides protection and uniform illumination
- Captive Tamperproof Screws
- Concealed Hinge Cables
- Removable Power Tray
- Lens secured to Lens Frame by heavy gauge steel rails

CROSS SECTION



LENS FRAME DIMENSIONS



SPECIFICATIONS

A. HOUSING	Die formed cold rolled steel Housing, with Gauge to match Frame.	F. HINGE	Heavy gauge internal security Cables support Lens Frame during relamping.
B. GASKET	Polyurethane Gasket around inside of Lens Housing to prevent light leaks.	G. BALLAST	HPF, Class P, Energy saving Ballast (See Voltage, Ballast Options).
C. FASTENERS	Captive tamperproof fasteners. (Torx head standard. For others see Options).	H. LAMPS	5 or 7 W Twin Tube Lamps. See Lamp Options (Lamps by others).
D. LENS	.250" Clear Polycarbonate Lenses (See Lens Options).	I. FINISH	Polyester Powder coat white finish with 92% reflectance.
E. FRAME	Die formed one piece cold rolled steel frame with welded seams.	J. UL LISTED	Suitable for Damp Locations.

LAMP SELECTION



LAMPS: (1) 5 or 7W Twin Tube Shown with Louvers Option (LV)

ORDERING INFORMATION

DWZ-1	-	-	-	-	/	-
GAUGE	WATTAGE	VOLTAGE	BALLAST	LENS OPTION	OPTIONS	
F=14 Gauge Maximum Security	5=5 Watts Twin Tube	120=120 Volts 277=277 Volts 347=347 Volts	EB=Electronic Ballast MB=Magnetic Ballast	ROOM SIDE 18CP=.187"Clear P/C 25CP=.250"Clear P/C 37CP=.375"Clear P/C 50CP=.500"Clear P/C 18TG=.187"Temp.Glass 25TG=.250"Temp.Glass 37TG=.375"Temp.Glass 50TG=.500"Temp.Glass	AH=Allen Head Screws GF=GLR Fuse LV=Louvers (8)	
S=16 Gauge Medium Security	7=7 Watts Twin Tube			LAMP SIDE 12PA=.125"Prism. Acrylic 15PP=.156"Prism. P/C 18PP=.187"Prism. P/C 15PG=.156"Prism. Temp. Glass UO = UV Absorbing Overlay (Other Lens Options Available.	(More than one Option can be specified)	

EXAMPLE: DWZ - 1 - F - 7 - 277 - MB - 25CP/15PP - AH

DESCRIPTION: DWZ - 1 = Series DWZ, 1 foot nominal size
 F = 14 Gauge Cold Rolled Steel - Maximum Security
 7 = 7 Watts Twin Tube Lamp
 277 = 277 Volt Operation
 MB = Magnetic Ballast
 25CP/15PP= .250" Thick Clear Polycarbonate on Room Side / .156" Thick Prismatic Polycarbonate on Lamp Side
 AH = Allen Head Screws in Lens Frame

FIXTURE TYPE		COMMENTS
CATALOG NUMBER	DWZ-1-	
JOB NAME		
APPROVAL		
DATE		

Dimensions and Specifications subject to change without notice
 Fixture guaranteed for one year against mechanical defects in manufacture.
 2-99 DWZ-1