

LIGHTING FOR COMPLEX ENVIRONMENTS

2 ft. long

APPLICATIONS

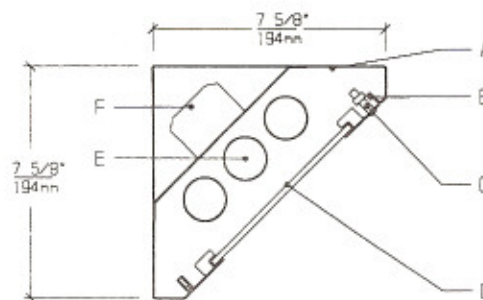
- Schools / Universities
- Apartments / Condominiums / Public Housing
- Convenience Stores
- Government Facilities
- Hospitals

Welded housings with unbreakable lenses and tamperproof screws help VCA Series withstand severe punishment, and make them ideally suited for VANDAL and HIGH ABUSE areas, where deliberate tampering is expected.

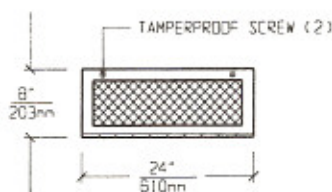
FEATURES

- ♦ 20 gauge die formed Housing with welded corners
- ♦ 2 feet by 7-5/8 in. nominal Housing size
- ♦ One piece Lens Frame with tightly closed corners
- ♦ Non-corrosive durable coating
- ♦ Captive Tamperproof Screws
- ♦ Corner or Wall mounted
- ♦ Stands up to physical impact and tampering
- ♦ Maintenance free, one time installation

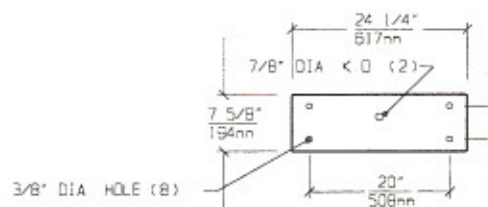
CROSS SECTION



LENS FRAME DIMENSIONS



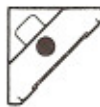
TOP VIEW / MOUNTING DIMENSIONS



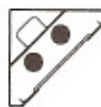
SPECIFICATIONS

A. HOUSING	Die formed cold rolled steel Housing, with welded End Caps.	E. LAMPS	17W T-8 or 20W T-12 Lamps. See Lamp Options. (Lamps by others).
B. GASKET	Polyurethane Gasket around inside of Lens Frame to prevent light leaks.	F. BALLAST	HPF, Class P, Energy saving Ballast (See Voltage, Ballast Options).
C. FASTENERS	Captive tamperproof fasteners. (Torx head standard. For others see Options).	G. FINISH	Polyester Powder coat white finish with 92% reflectance
D. LENS	Prismatic polycarbonate Lens with external prisms for even illumination. (For others see Options).	H. U.L. LISTED	Suitable for Damp Locations. Wet Locations construction available.

LAMP SELECTION



LAMPS: (1) 17W T-8
(1) 20W T-12



LAMPS: (2) 17W T-8
(2) 20W T-12



LAMPS: (3) 17W T-8
(3) 20W T-12

ORDERING INFORMATION

VCA - 2 -

No. of LAMPS	WATTAGE	VOLTAGE	BALLAST	LENS	OPTIONS
1=1 Lamp	17=17 Watts	120=120 Volts	EB=Electronic	12PP=.125"Prism. P/C	AH=Allen Head Screws
2=2 Lamps	(T-8)	277=277 Volts	Ballast	18PP=.187"Prism. P/C	GF=GLR Fuse
3=3 Lamps	20=20 Watts	347=347 Volts	MB=Magnetic	12PA=.125"Pr. Acrylic	NL=Night Light (PL-7or 9)
	(T-12)		Ballast	15PG=.156"Prism.	DB=Dimming Ballast
			EB2=(2) Electr.	Temp. Glass	EM=Emergency Lighting
			Ballasts		CW=Cold Weather
			EBH=<10% THD		Ballast
			El. Ballast		RF=Radio Frequency
					Interference Filter
					OH=Oval Head Screws

(More than one Option can be specified)

EXAMPLE: VCA - 2 - 2 - 17 - 277 - EB - GF - NL

DESCRIPTION: VCA-2 = Series VCA, 2 feet nominal length
 2 = 2 Lamps
 17 = 17 Watts T-8 Lamps
 277 = 277 Volt Operation
 EB = Electronic Ballast
 GF = GLR Fuse
 NL = Night Light for PL - 7 or 9

FIXTURE TYPE		COMMENTS
CATALOG NUMBER	VCA-2-	
JOB NAME		
APPROVAL		
DATE		

Dimensions and Specifications subject to change without notice
 Fixture guaranteed for one year against mechanical defects in manufacture.
 2-97 VCA-2