

**LIGHTING FOR COMPLEX ENVIRONMENTS**

**1' X 4'**

**APPLICATIONS**

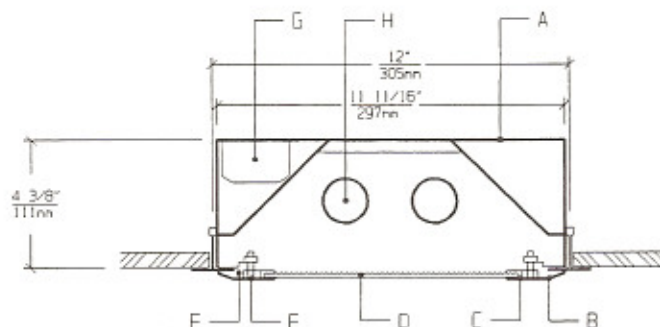
- Schools / Universities
- Apartments / Condominiums / Public Housing
- Convenience Stores
- Government Facilities
- Hospitals

Welded housings with unbreakable lenses and tamperproof screws help VGT Series withstand severe punishment, and make them ideally suited for VANDAL and HIGH ABUSE areas, where deliberate tampering is expected.

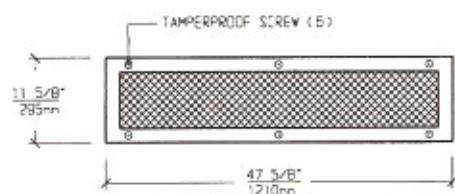
**FEATURES**

- ♦ 20 gauge die formed Housing, painted white
- ♦ 1 foot by 4 feet nominal Housing size
- ♦ Overlap one-piece 18 gauge Lens Frame
- ♦ Same Housing fits 1", 1-1/2" and 2" standard T-grid ceiling
- ♦ Captive Tamperproof Screws with captive cage nuts
- ♦ High Impact low brightness Lens (See Options)
- ♦ Non-corrosive durable coating
- ♦ Maintenance free, one time installation
- ♦ Stands up to physical impact and tampering
- ♦ Suitable for high pressure Hosedown

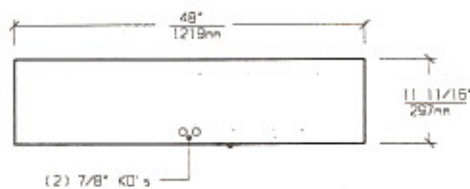
**CROSS SECTION**



**LENS FRAME DIMENSIONS**



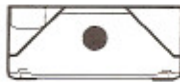
**TOP VIEW**



**SPECIFICATIONS**

<p><b>A. HOUSING</b> Die formed 20 gauge cold rolled steel Housing, with welded seams.</p> <p><b>B. LENS FRAME</b> Die formed one piece 18 gauge cold rolled steel Lens Frame.</p> <p><b>C. GASKET</b> Closed cell gaskets prevent moisture from entering the fixture.</p> <p><b>D. LENS</b> Low brightness high impact Lens (See Options).</p> <p><b>E. FASTENERS</b> Captive stainless steel tamperproof screws apply even pressure against Lens Frame.</p>	<p><b>F. HINGE</b> Two "shadow free" detachable chains for ease of installation and maintenance.</p> <p><b>G. BALLAST</b> HPF, Class P, Energy saving (See Voltage, Ballast Options).</p> <p><b>H. LAMPS</b> 32W T-8 or 40W T-12 Lamps. See Lamp Options. (Lamps by others).</p> <p><b>I. FINISH</b> Polyester Powder coat white finish with 92% reflectance.</p> <p><b>J. UL LISTED</b> Suitable for Wet Locations.</p>
---	--

LAMP SELECTION



LAMPS: (1) 32W T-8  
(1) 40W T-12



LAMPS: (2) 32W T-8  
(2) 40W T-12



LAMPS: (3) 32W T-8  
(3) 40W T-12

ORDERING INFORMATION

VGT - 14 -

No. of LAMPS	WATTAGE	VOLTAGE	BALLAST	LENS OPTION	OPTIONS
1=1 Lamps	32=32 Watts	120=120 Volts	EB=Electronic	12PA=.125"Prism. Acrylic	EM=Emergency Lighting
2=2 Lamps	(T- 8)	277=277 Volts	Ballast	15PA=.156"Prism. Acrylic	GF=GLR Fuse
3=3 Lamps	40=40 Watts	347=347 Volts	MB=Magnetic	15PG=.156"Prism. Glass	NL=Night Light(PL-7or 9)
4=4 Lamps	(T-12)		Ballast	18PP=.187"Prism. P/C	DB=Dimming Ballast
			EB2=(2) Electr. Ballasts	UO = UV Absorbing Overlay	RF=Radio Frequency Interference Filter
			EBH=<10% THD El. Ballast		CW=Cold Weather Ballast
				(Other Lens Options available. Consult Factory)	AHP=Aluminum Housing Painted
					AFP=Aluminum Lens Frame, Painted
					AFA=Aluminum Lens Frame, Anodized
					SHP=Stainless Steel Housing, Painted
					SFP=Stainless Steel Lens Frame, Painted
				(More than one Option can be specified)	SFN=Stainless Steel Lens Frame, Natural
					AH=Allen Head Screws
					OH=Oval Head Screws

EXAMPLE: VGT - 14 - 3 - 32 - 277 - EB - 15PG - GF - NL

DESCRIPTION: VGT-14 = Series VGT, 1 foot by 4 feet nominal size  
 3 = 3 Lamps  
 32 = 32 Watts T-8 Lamps  
 277 = 277 Volt Operation  
 EB = Electronic Ballast  
 15PG = .156"Thick Prismatic Tempered Glass  
 GF = GLR Fuse  
 NL = Night Light for PL - 7 or 9

FIXTURE TYPE		COMMENTS
CATALOG NUMBER	VGT-14-	
JOB NAME		
APPROVAL		
DATE		

Dimensions and Specifications subject to change without notice  
 Fixture guaranteed for one year against mechanical defects in manufacture.  
 2 - 97 VGT-14