

LIGHTING FOR COMPLEX ENVIRONMENTS

3 ft. long

APPLICATIONS

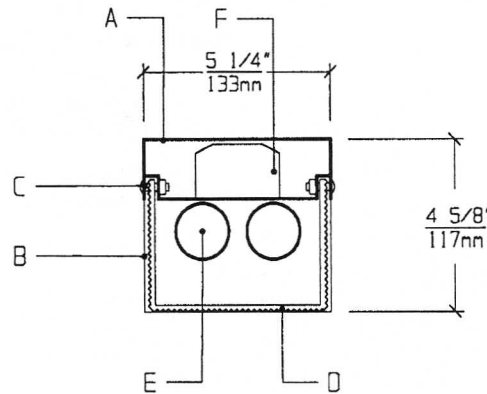
- Schools / Universities
- Apartments / Condominiums / Public Housing
- Convenience Stores
- Government Facilities
- Hospitals

Heavy gauge housings with wraparound unbreakable lenses and tamperproof screws help VSA Series withstand severe punishment, and make them ideally suited for VANDAL and HIGH ABUSE areas, where deliberate tampering is expected.

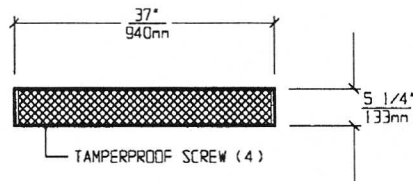
FEATURES

- 16 gauge die formed Housing
- 3 feet by 5 in. nominal Housing size
- One piece wraparound prismatic polycarbonate Lens provides uniform illumination
- Tamperproof Screws with captive cage nuts
- Ceiling or Wall mounted
- Non-corrosive durable coating
- Maintenance free, one time installation
- Stands up to physical impact and tampering

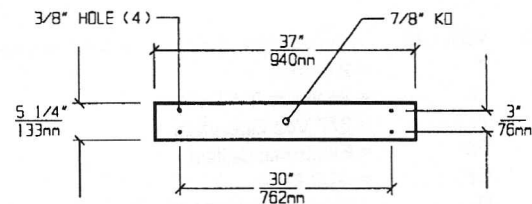
CROSS SECTION



LENS FRAME DIMENSIONS



TOP VIEW / MOUNTING DIMENSIONS



SPECIFICATIONS

A. HOUSING	16 gauge die formed cold rolled steel Housing with welded End Caps.	E. LAMPS	25W T-8 Lamps. See Lamp Options. (Lamps by others).
B. GASKET	Polyurethane Gasket around inside of Lens to prevent light leaks.	F. BALLAST	HPF, Class P, Energy saving Ballast (See Voltage, Ballast Options).
C. FASTENERS	Stainless Steel tamperproof fasteners. (Torx head standard. For others see Options).	G. FINISH	Polyester Powder coat white finish with 92% reflectance
D. LENS	.156 thick prismatic polycarbonate Lens with external prisms for even illumination.	H. U.L. LISTED	Suitable for Damp Locations. Wet Locations construction available.

LAMP SELECTION



LAMPS: (1) 25W T-8



LAMPS: (2) 25W T-8

ORDERING INFORMATION

VSA-13 -

No. of LAMPS	WATTAGE	VOLTAGE	BALLAST	OPTIONS
1=1 Lamps	25=25 Watts	120=120 Volts	EB=Electronic Ballast	OL=Opal Lens
2=2 Lamps	(T-8)	277=277 Volts	MB=Magnetic Ballast	GF=GLR Fuse
		347=347 Volts	EB2=(2) Electr. Ballasts	NL=Night Light(PL-7 or9)
			EBH=<10% THD El. Ballast	DB=Dimming Ballast
				EM=Emergency Lighting
				CW=Cold Weather Ballast
				RF=Radio Frequency Interference Filter
				AH=Allen Head Screws
				OH=Oval Head Screws

(More than one Option can be specified)

EXAMPLE: VSA - 13 - 2 - 25 - 277 - EB - GF - NL

DESCRIPTION: VSA - 13 = Series VSA, 5 inches by 3 feet nominal size
 2 = 2 Lamps
 25 = 25 Watts T-8 Lamps
 277 = 277 Volt Operation
 EB = Electronic Ballast
 GF = GLR Fuse
 NL = Night Light for PL-7 or 9

FIXTURE TYPE		COMMENTS
CATALOG NUMBER	VSA-13-	
JOB NAME		
APPROVAL		
DATE		

Dimensions and Specifications subject to change without notice
 Fixture guaranteed for one year against mechanical defects in manufacture.
 Copyright 2-99 VSA-13