

LIGHTING FOR COMPLEX ENVIRONMENTS

2 ft. long

APPLICATIONS

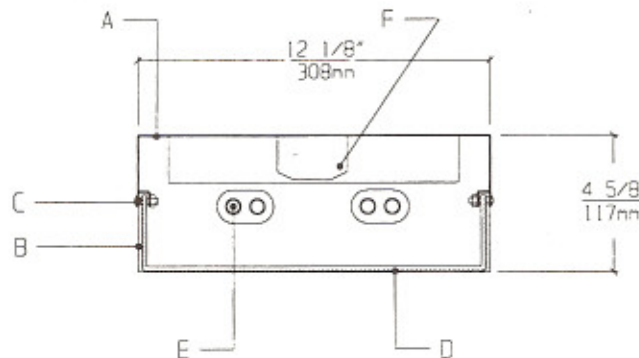
- Schools / Universities
- Apartments / Condominiums / Public Housing
- Convenience Stores
- Government Facilities
- Hospitals

Heavy gauge housings with wraparound unbreakable lenses and tamperproof screws help VSA Series withstand severe punishment, and make them ideally suited for VANDAL and HIGH ABUSE areas, where deliberate tampering is expected.

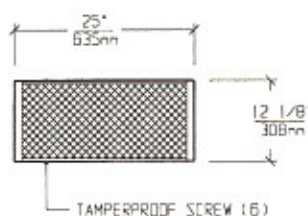
FEATURES

- ♦ 16 gauge die formed Housing
- ♦ 2 feet by 12 in. nominal Housing size
- ♦ One piece wraparound prismatic polycarbonate Lens provides uniform illumination
- ♦ Tamperproof Screws with captive cage nuts
- ♦ Ceiling or Wall mounted
- ♦ Non-corrosive durable coating
- ♦ Maintenance free, one time installation
- ♦ Stands up to physical impact and tampering

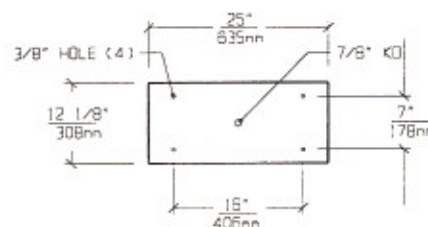
CROSS SECTION



LENS FRAME DIMENSIONS



TOP VIEW / MOUNTING DIMENSIONS



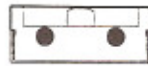
SPECIFICATIONS

<p>A. HOUSING 16 gauge die formed cold rolled steel Housing with welded End Caps.</p> <p>B. GASKET Polyurethane Gasket around inside of Lens to prevent light leaks.</p> <p>C. FASTENERS Stainless Steel tamperproof fasteners. (Torx head standard. For others see Options).</p> <p>D. LENS .156 thick prismatic polycarbonate Lens with external prisms for even illumination.</p>	<p>E. LAMPS 17W T-8, 20W T-12, or 40W Biax Lamps. See Lamp Options. (Lamps by others).</p> <p>F. BALLAST HPF, Class P, Energy saving Ballast (See Voltage, Ballast Options).</p> <p>G. FINISH Polyester Powder coat white finish with 92% reflectance</p> <p>H. U.L. LISTED Suitable for Damp Locations. Wet Locations construction available.</p>
--	--

LAMP SELECTION



LAMPS: (1) 17W T-8
(1) 20W T-12
(1) 40W BIAX



LAMPS: (2) 17W T-8
(2) 20W T-12
(2) 40W BIAX



LAMPS: (3) 17W T-8
(3) 20W T-12

ORDERING INFORMATION

VSA - 22 -

No. of LAMPS	WATTAGE	VOLTAGE	BALLAST	OPTIONS
1=1 Lamp	17=17 Watts	120=120 Volts	EB=Electronic	OL=Opal Lens
2=2 Lamps	(T- 8)	277=277 Volts	Ballast	GF=GLR Fuse
3=3 Lamps	20=20 Watts	347=347 Volts	MB=Magnetic	NL=Night Light (PL-7or 9)
(except Biax)	(T-12)		Ballast	DB=Dimming Ballast
	40BX=40 Watts		EB2=(2) Electr.	EM=Emergency Lighting
	Biax		Ballasts	CW=Cold Weather
			EBH=<10% THD	Ballast
			El. Ballast	RF=Radio Frequency
				Interference Filter
				AH=Allen Head Screws
				OH=Oval Head Screws

(More than one Option
can be specified)

EXAMPLE: VSA - 22 - 2 - 40BX - 277 - EB - GF - NL

DESCRIPTION: VSA-22 = Series VSA, 12 inches by 2 feet nominal size
 2 = 2 Lamps
 40BX = 40 Watts Biax Twin Tube
 277 = 277 Volt Operation
 EB = Electronic Ballast
 GF = GLR Fuse
 NL = Night Light for PL - 7 or 9

FIXTURE TYPE	COMMENTS
CATALOG NUMBER VSA-22-	
JOB NAME	
APPROVAL	
DATE	

Dimensions and Specifications subject to change without notice.
 Fixture guaranteed for one year against mechanical defects in manufacture.
 2-97 VSA-22