

LIGHTING FOR COMPLEX ENVIRONMENTS

2 ft. long

APPLICATIONS

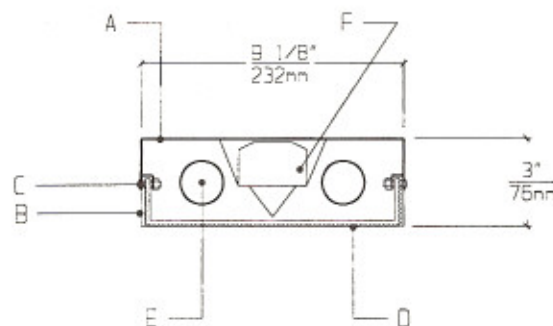
- Schools / Universities
- Apartments / Condominiums / Public Housing
- Convenience Stores
- Government Facilities
- Hospitals

Low profile heavy gauge housings with wraparound unbreakable lenses and tamperproof screws help VSB Series withstand severe punishment, and make them ideally suited for VANDAL and HIGH ABUSE areas, where deliberate tampering is expected.

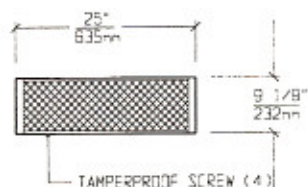
FEATURES

- ♦ 16 gauge die formed Housing
- ♦ V-shaped Lens support provides added strength
- ♦ One piece wraparound prismatic polycarbonate Lens provides uniform illumination
- ♦ Tamperproof Screws with captive cage nuts
- ♦ Ceiling or Wall mounted
- ♦ Non-corrosive durable coating
- ♦ Maintenance free, one time installation
- ♦ Stands up to physical impact and tampering
- ♦ Removable Power Tray
- ♦ 2 feet by 9 in. nominal Housing size

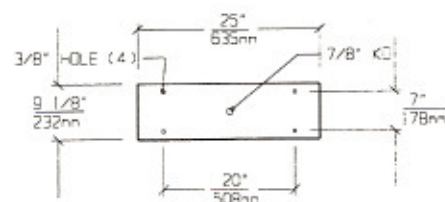
CROSS SECTION



LENS FRAME DIMENSIONS



TOP VIEW / MOUNTING DIMENSIONS



SPECIFICATIONS

| | | | |
|---------------------|--|-----------------------|--|
| A. HOUSING | 16 gauge die formed cold rolled steel Housing with welded End Caps. | E. LAMPS | 17W T-8, 20W T-12, or 40W Biax Lamps. See Lamp Options. (Lamps by others). |
| B. GASKET | Polyurethane Gasket around inside of Lens to prevent light leaks. | F. BALLAST | HPF, Class P, Energy saving Ballast (See Voltage, Ballast Options). |
| C. FASTENERS | Stainless Steel tamperproof fasteners. (Torx head standard. For others see Options). | G. FINISH | Polyester Powder coat white finish with 92% reflectance |
| D. LENS | .156 thick prismatic polycarbonate Lens with external prisms for even illumination. | H. U.L. LISTED | Suitable for Damp Locations. Wet Locations construction available. |

LAMP SELECTION



LAMPS: (2) 17W T-8
 (2) 20W T-12
 (2) 40W BIAx

ORDERING INFORMATION

| VSB - 12 - | 2 | | | | |
|--------------|------------------|---------------|-----------------|---|--|
| No. of LAMPS | WATTAGE | VOLTAGE | BALLAST | OPTIONS | |
| 2=2 Lamps | 17=17W T-8 | 120=120 Volts | EB=Electronic | OL=Opal Lens | |
| | 20=20W T-12 | 277=277 Volts | Ballast | GF=GLR Fuse | |
| | 40BX=40W Blax | 347=347 Volts | MB=Magnetic | NL=Night Light (PL-7or 9) | |
| | | | Ballast | DB=Dimming Ballast | |
| | | | EB2=(2) Electr. | EM=Emergency Lighting | |
| | | | Ballasts | CW=Cold Weather | |
| | | | EBH=<10% THD | Ballast | |
| | | | EI. Ballast | RF=Radio Frequency Interference Filter | |
| | | | | AH=Allen Head Screws | |
| | | | | OH=Oval Head Screws | |

(More than one Option
 can be specified)

EXAMPLE: VSB - 12 - 2 - 17 - 277 - EB - GF - NL

DESCRIPTION: VSB-12 = Series VSB, 9 inches by 2 feet nominal size
 2 = 2 Lamps
 17 = 17 Watts T-8 Lamps
 277 = 277 Volt Operation
 EB = Electronic Ballast
 GF = GLR Fuse
 NL = Night Light for PL - 7 or 9

| FIXTURE TYPE | | COMMENTS |
|----------------|---------|----------|
| CATALOG NUMBER | VSB-12- | |
| JOB NAME | | |
| APPROVAL | | |
| DATE | | |

Dimensions and Specifications subject to change without notice
 Fixture guaranteed for one year against mechanical defects in manufacture.
 2-97 VSB-12