

LIGHTING FOR COMPLEX ENVIRONMENTS

2 ft. long

APPLICATIONS

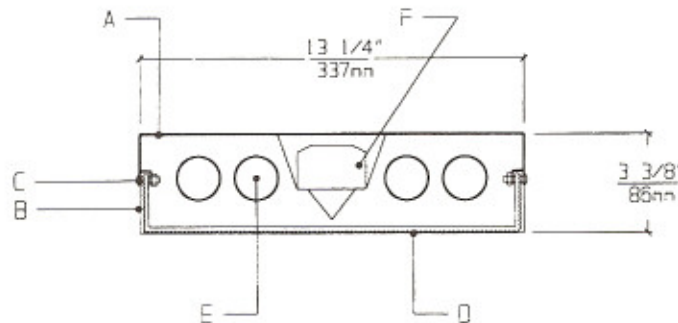
- Schools / Universities
- Apartments / Condominiums / Public Housing
- Convenience Stores
- Government Facilities
- Hospitals

Low profile heavy gauge housings with wraparound unbreakable lenses and tamperproof screws help VSB Series withstand severe punishment, and make them ideally suited for VANDAL and HIGH ABUSE areas, where deliberate tampering is expected.

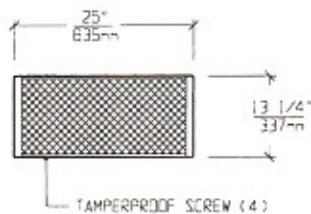
FEATURES

- ♦ 16 gauge die formed Housing
- ♦ V-shaped Lens support provides added strength
- ♦ One piece wraparound prismatic polycarbonate Lens provides uniform illumination
- ♦ Tamperproof Screws with captive cage nuts
- ♦ Ceiling or Wall mounted
- ♦ Non-corrosive durable coating
- ♦ Maintenance free, one time installation
- ♦ Stands up to physical impact and tampering
- ♦ Removable Power Tray
- ♦ 2 feet by 13 in. nominal Housing size

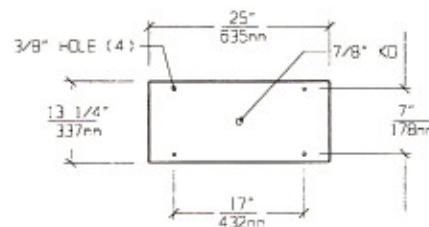
CROSS SECTION



LENS FRAME DIMENSIONS



TOP VIEW / MOUNTING DIMENSIONS



SPECIFICATIONS

<p>A. HOUSING 16 gauge die formed cold rolled steel Housing with welded End Caps.</p> <p>B. GASKET Polyurethane Gasket around inside of Lens to prevent light leaks.</p> <p>C. FASTENERS Stainless Steel tamperproof fasteners. (Torx head standard. For others see Options).</p> <p>D. LENS .156 thick prismatic polycarbonate Lens with external prisms for even illumination.</p>	<p>E. LAMPS 17W T-8, 20W T-12, or 40W Bi-x Lamps. See Lamp Options. (Lamps by others).</p> <p>F. BALLAST HPF, Class P, Energy saving Ballast (See Voltage, Ballast Options).</p> <p>G. FINISH Polyester Powder coat white finish with 92% reflectance</p> <p>H. U.L. LISTED Suitable for Damp Locations. Wet Locations construction available.</p>
--	--

LAMP SELECTION



LAMPS: (2) 17W T-8
(2) 20W T-12
(2) 40W Biax



LAMPS: (4) 17W T-8
(4) 20W T-12

ORDERING INFORMATION

VSB - 22 -

No. of LAMPS	WATTAGE	VOLTAGE	BALLAST	OPTIONS
2=2 Lamps	17=17W T-8	120=120 Volts	EB=Electronic Ballast	OL=Opal Lens
4=4 Lamps (Except Biax)	20=20W T-12 40BX=40W Biax	277=277 Volts 347=347 Volts	MB=Magnetic Ballast EB2=(2) Electr. Ballasts EBH=<10% THD El. Ballast	GF=GLR Fuse NL=Night Light (PL-7or 9) DB=Dimming Ballast EM=Emergency Lighting CW=Cold Weather Ballast RF=Radio Frequency Interference Filter AH=Allen Head Screws OH=Oval Head Screws

(More than one Option can be specified)

EXAMPLE: VSB - 22 - 4 - 20 - 277 - EB - GF - NL

DESCRIPTION: VSB-22 = Series VSB, 13 inches by 2 feet nominal size
 4 = 4 Lamps
 20 = 20 Watts T-12 Lamps
 277 = 277 Volt Operation
 EB = Electronic Ballast
 GF = GLR Fuse
 NL = Night Light for PL - 7 or 9

FIXTURE TYPE		COMMENTS
CATALOG NUMBER	VSB-22-	
JOB NAME		
APPROVAL		
DATE		

Dimensions and Specifications subject to change without notice
 Fixture guaranteed for one year against mechanical defects in manufacture.
 2-97 VSB-22