

**LIGHTING FOR COMPLEX ENVIRONMENTS**

**APPLICATIONS**

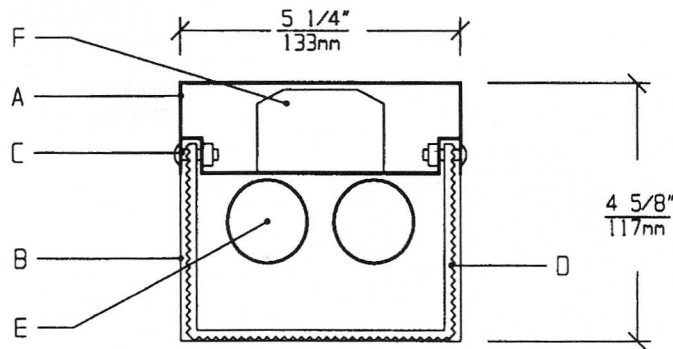
- Schools / Universities
- Apartments / Condominiums / Public Housing
- Shopping Malls
- Airports / Hotels
- Hospitals

Heavy gauge housings with wraparound unbreakable lenses and tamperproof screws help VSC Series withstand severe punishment, and make them ideally suited for VANDAL and HIGH ABUSE areas, where deliberate tampering is expected.

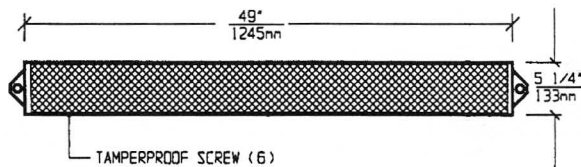
**FEATURES**

- Outside mounting feet—ready to install
- Prewired quick-disconnect for easy wiring
- 16 gauge die formed Housing
- 4 feet by 5 in. nominal Housing size
- One piece wraparound prismatic polycarbonate Lens provides uniform illumination
- Tamperproof Screws with captive cage nuts
- Ceiling or Wall mounted
- Non-corrosive durable coating
- Maintenance free, one time installation
- Stands up to physical impact and tampering

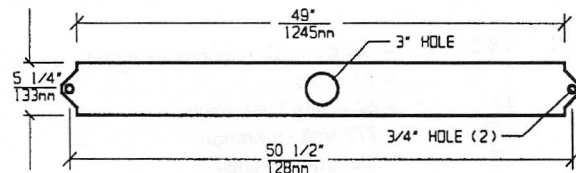
**CROSS SECTION**



**LENS FRAME DIMENSIONS**



**TOP VIEW / MOUNTING DIMENSIONS**



**SPECIFICATIONS**

<p><b>A. HOUSING</b> 16 gauge die formed cold rolled steel Housing with welded End Caps.</p> <p><b>B. GASKET</b> Polyurethane Gasket around inside of Lens to prevent light leaks.</p> <p><b>C. FASTENERS</b> Stainless Steel tamperproof fasteners. (Torx head standard. For others see Options).</p> <p><b>D. LENS</b> .156 thick prismatic polycarbonate Lens with external prisms for even illumination.</p>	<p><b>E. LAMPS</b> 32W T-8 or 40W T-12 Lamps. See Lamp Options. (Lamps by others).</p> <p><b>F. BALLAST</b> HPF, Class P, Energy saving Ballast (See Voltage, Ballast Options).</p> <p><b>G. FINISH</b> Polyester Powder coat white finish with 92% reflectance.</p> <p><b>H. U.L. LISTED</b> Suitable for Damp Locations. Wet Locations construction available.</p>
--	--

**LAMP SELECTION**



LAMPS: (1) 32W T-8  
(1) 40W T-12



LAMPS: (2) 32W T-8  
(2) 40W T-12

**ORDERING INFORMATION**

**VSC-14 -**

No. of LAMPS	WATTAGE	VOLTAGE	BALLAST	OPTIONS
1=1 Lamps	32=32 Watts	120=120 Volts	EB=Electronic Ballast	OL=Opal Lens
2=2 Lamps	(T-8)	277=277 Volts	MB=Magnetic Ballast	GF=GLR Fuse
	40=40 Watts	347=347 Volts	EB2=(2) Electr. Ballasts	NL=Night Light(PL-7 or9)
	(T-12)		EBH=<10% THD El. Ballast	DB=Dimming Ballast
				EM=Emergency Lighting
				CW=Cold Weather Ballast
				RF=Radio Frequency Interference Filter
				AH=Allen Head Screws
				OH=Oval Head Screws
				LP=Lamps Provided

(More than one Option can be specified)

**EXAMPLE: VSC - 14 - 2 - 32 - 277 - EB - GF - NL**

**DESCRIPTION:** VSC - 14 = Series VSC, 5 inches by 4 feet nominal size  
 2 = 2 Lamps  
 32 = 32 Watts T-8 Lamps  
 277 = 277 Volt Operation  
 EB = Electronic Ballast  
 GF = GLR Fuse  
 NL = Night Light for PL-7 or 9

FIXTURE TYPE		COMMENTS
CATALOG NUMBER	VSC-14-	
JOB NAME		
APPROVAL		
DATE		

Dimensions and Specifications subject to change without notice  
 Fixture guaranteed for one year against mechanical defects in manufacture.  
 Copyright 2-99 VSC-14