

LIGHTING FOR COMPLEX ENVIRONMENTS

8" X 8"

APPLICATIONS

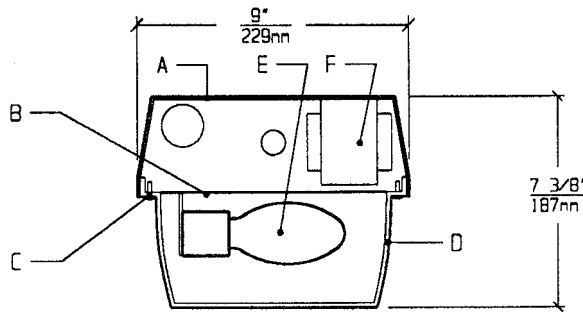
- Schools / Universities
- Apartments / Condominiums / Public Housing
- Convenience Stores
- Government Facilities
- Hospital

Cast aluminum housings with molded unbreakable lenses and tamperproof screws help VSG Series withstand severe punishment, and make them ideally suited for VANDAL and HIGH ABUSE areas, where deliberate tampering is expected.

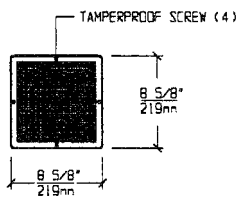
FEATURES

- Cast aluminum Housing
- 8" x 8" nominal size
- Injection molded prismatic polycarbonate Refractor provides uniform illumination
- Tamperproof Screws (Torx head standard)
Ceiling or Wall mounted
- Non-corrosive durable coating
- Maintenance free, one time installation
- Stands up to physical impact and tampering
- 70 Watt maximum

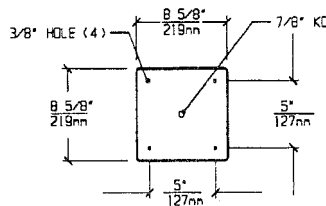
CROSS SECTION



LENS FRAME DIMENSIONS



TOP VIEW



SPECIFICATIONS

<p>A. HOUSING Heavy duty cast aluminum Housing helps dissipate heat generated by high wattage lamps.</p> <p>B. REFLECTOR White Reflector creates even light distribution. 92% reflectance.</p> <p>C. FASTENERS Captive tamperproof fasteners. (Torx head standard. For others see Options).</p> <p>D. LENS .125" prismatic polycarbonate Lens with external prisms for even illumination. Injection molded.</p>	<p>E. LAMPS Metal Halide, High Pressure Sodium, Mercury Vapor Lamps. Medium base. (Lamps by others).</p> <p>F. BALLAST ETL / CBM certified, HPF ballast, securely mounted to ensure low operating temperature and long life..</p> <p>G. FINISH Polyester Powder coat bronze housing.</p> <p>H. UL LISTED Suitable for Damp Locations. Wet Locations construction available.</p>
---	---

LAMP SELECTION



LAMPS: MEDIUM BASE

ORDERING INFORMATION

VSG-88	WATTAGE	LAMP TYPE	VOLTAGE	OPTIONS
	35=35 Watts	M=Metal Halide	120=120 Volts	OL=Opal Lens
	50=50 Watts	S=High Pressure Sodium	208=208 Volts	GF=GLR Fuse
	70=70 Watts	MV=Mercury Vapor	240=240 Volts	2F=Double Fuse
			277=277 Volts	OH=Oval Head Screws
			DT=Dual Tap	QS=Quartz Socket
			QT=Quad Tap	QR=Quartz Restrike System
				IV=Internal Visor
				PC=Photo Cell (Specify Voltage)
				HPF=High Power Factor
				AH=Allen Head Screws
				WL=Wet Location
				EV=External Visor

(More than one Option can be specified)

EXAMPLE: VSG - 88 - 70 - S - 277 - GF - AH

DESCRIPTION: VSG - 88 = Series VSG, 8 inches by 8 inches nominal size
 70 = 70 Watts
 S = High Pressure Sodium
 277 = 277 Volt Operation
 GF = GLR Fuse
 AH = Allen Head Screws

FIXTURE TYPE		COMMENTS
CATALOG NUMBER	VSG-88-	
JOB NAME		
APPROVAL		
DATE		

Dimensions and Specifications subject to change without notice.
 Fixture guaranteed for one year against mechanical defects in manufacture.
 2-99 VSG-88