

**LIGHTING FOR COMPLEX ENVIRONMENTS**

**APPLICATIONS**

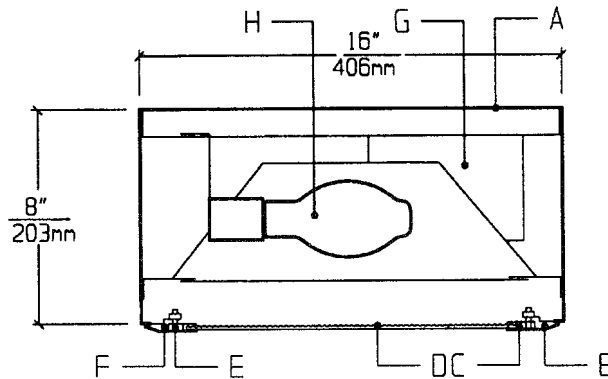
- Schools / Universities
- Apartments / Condominiums / Public Housing
- Convenience Stores
- Government Facilities
- Hospitals

Welded housings with unbreakable lenses and tamperproof screws help VSH Series withstand severe punishment, and make them ideally suited for VANDAL and HIGH ABUSE areas, where deliberate tampering is expected..

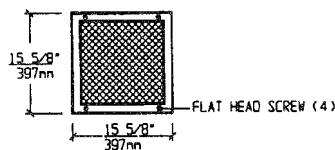
**FEATURES**

- 19 gauge die formed Housing, painted white
- 16" x 16" nominal size
- Overlap one piece 18 gauge Lens Frame
- Suitable for high pressure Hosedown
- Captive Tamperproof Screws with captive cage nuts
- High Impact low brightness Lens (See Options)
- Non-corrosive durable coating
- Maintenance free, one time installation
- Stands up to physical impact and tampering

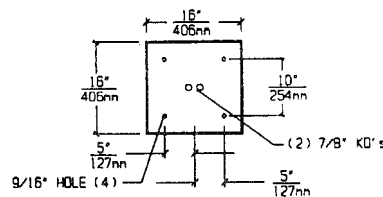
**CROSS SECTION**



**LENS FRAME DIMENSIONS**



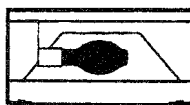
**TOP VIEW**



**SPECIFICATIONS**

<b>A. HOUSING</b>	Die formed 19 gauge cold rolled steel Housing, with welded seams. Painted white.	<b>F. HINGE</b>	Two "shadow free" detachable chains for ease of installation and maintenance.
<b>B. LENS FRAME</b>	Die formed one piece 18 gauge cold rolled steel Lens Frame. Painted white.	<b>G. BALLAST</b>	HPF, core and coil Ballast (See Voltage, Ballast Options).
<b>C. GASKET</b>	Closed cell gaskets prevent moisture from entering the fixture.	<b>H. LAMPS</b>	Up to 175 W HPS, Metal Halide or Mercury Vapor Lamps. See Lamp Options (Lamps by others).
<b>D. LENS</b>	Low brightness high impact Lens (See Options).	<b>I. FINISH</b>	Polyester Powder coat white finish with 92% reflectance.
<b>E. FASTENERS</b>	Captive stainless steel tamperproof screws apply even pressure against Lens Frame.	<b>J. UL LISTED</b>	Suitable for Wet Locations.

**LAMP SELECTION**



LAMPS: (1) up to 175W HPS, Metal Halide or Mercury Vapor

**ORDERING INFORMATION**

**VSH-16 -**

WATTAGE	LAMP TYPE	VOLTAGE	LENS OPTION	OPTIONS
100=100 Watts	M=Metal Halide	120=120 Volts	15PG=.156" Prism. Glass	TP=Tamperproof Screws
150=150 Watts	S=High Pressure Sodium	208=208 Volts	15PP=.156" Prism. P/C	GF=GLR Fuse
175=175 Watts	MV=Mercury Vapor	240=240 Volts	15CP=.156" Clear P/C	QS=Quartz Socket
		277=277 Volts		QR=Quartz Restrike System
		DT=Dual Tap		
		QT=Quad Tap		

(More than one Option can be specified)

**EXAMPLE: VSH - 16 - 175 - M - 277 - 15PG - GF**

**DESCRIPTION:** VSH - 16 = Series VSH, 16 X 16 inches nominal size  
 175 = 175 Watts  
 M = Metal Halide lamp  
 277 = 277 Volt Operation  
 15PG = .156" Thick Prismatic Glass  
 GF = GLR Fuse

FIXTURE TYPE		COMMENTS
CATALOG NUMBER	VSH-16-	
JOB NAME		
APPROVAL		
DATE		

Dimensions and Specifications subject to change without notice  
 Fixture guaranteed for one year against mechanical defects in manufacture.  
 Copyright 2-99 VSH-16