

LIGHTING FOR COMPLEX ENVIRONMENTS

2 ft. long

APPLICATIONS

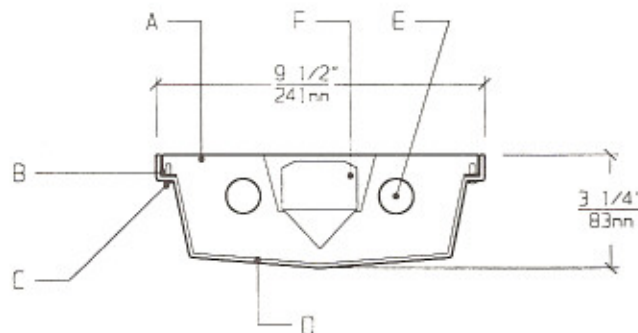
- Schools / Universities
- Apartments / Condominiums / Public Housing
- Convenience Stores
- Government Facilities
- Hospitals

Heavy gauge backpans with molded unbreakable lenses and tamperproof screws help VSL Series withstand severe punishment, and make them ideally suited for VANDAL and HIGH ABUSE areas, where deliberate tampering is expected.

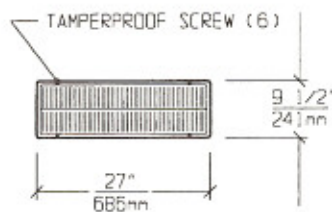
FEATURES

- ♦ 16 gauge die formed Backpan
- ♦ 2 feet by 9 1/2 in. nominal size
- ♦ Injection molded prismatic polycarbonate Refractor provides uniform illumination
- ♦ Tamperproof Screws with captive cage nuts
- ♦ Ceiling or Wall mounted
- ♦ Non-corrosive durable coating
- ♦ Maintenance free, one time installation
- ♦ Stands up to physical impact and tampering
- ♦ Removable Power Tray
- ♦ V-shaped Lens support provides added strength

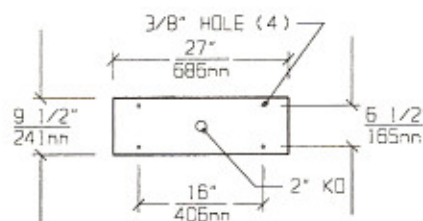
CROSS SECTION



LENS FRAME DIMENSIONS



TOP VIEW / MOUNTING DIMENSIONS



SPECIFICATIONS

<p>A. BACKPAN 16 gauge die formed cold rolled steel Backpan with welded seams.</p> <p>B. GASKET Polyurethane Gasket around inside of Lens to prevent light leaks.</p> <p>C. FASTENERS Captive tamperproof fasteners. (Torx head standard. For others see Options).</p> <p>D. LENS .187" prismatic polycarbonate Lens with external prisms for even illumination. Injection molded.</p>	<p>E. LAMPS 17W T-8 or 20W T-12 Lamps. See Lamp Options. (Lamps by others).</p> <p>F. BALLAST HPF, Class P, Energy saving Ballast (See Voltage, Ballast Options).</p> <p>G. FINISH Polyester Powder coat white finish with 92% reflectance</p> <p>H. U.L. LISTED Suitable for Damp Locations. Wet Locations construction available.</p>
--	---

LAMP SELECTION



LAMPS: (2) 17W T-8
(2) 20W T-12

ORDERING INFORMATION

VSL - 22 -	2				
No. of LAMPS	WATTAGE	VOLTAGE	BALLAST	OPTIONS	
2=2 Lamps	17=17 Watts (T-8)	120=120 Volts 277=277 Volts	EB=Electronic Ballast	OL=Opal Lens	GF=GLR Fuse
	20=20 Watts (T-12)	347=347 Volts	MB=Magnetic Ballast	NL=Night Light (PL-7or 9)	DB=Dimming Ballast
			EB2=(2) Electr. Ballasts	EM=Emergency Lighting	CW=Cold Weather Ballast
			EBH=<10% THD El. Ballast	RF=Radio Frequency Interference Filter	AH=Allen Head Screws
				OH=Oval Head Screws	

(More than one Option
can be specified)

EXAMPLE: VSL - 22 - 2 - 17 - 277 - EB - GF - NL

DESCRIPTION: VSL-22 = Series VSL, 9 1/2 inches by 2 feet nominal size
 2 = 2 Lamps
 17 = 17 Watts T-8 Lamps
 277 = 277 Volt Operation
 EB = Electronic Ballast
 GF = GLR Fuse
 NL = Night Light for PL - 7 or 9

FIXTURE TYPE		COMMENTS
CATALOG NUMBER	VSL-22-	
JOB NAME		
APPROVAL		
DATE		

Dimensions and Specifications subject to change without notice
 Fixture guaranteed for one year against mechanical defects in manufacture.
 2-97 VSL-22