

LIGHTING FOR COMPLEX ENVIRONMENTS

4 ft. long

APPLICATIONS

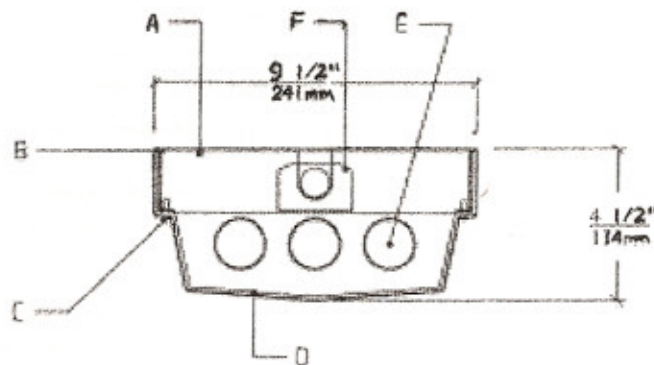
- Schools / Universities
- Apartments / Condominiums / Public Housing
- Convenience Stores
- Government Facilities
- Hospitals

Heavy gauge backpans with molded unbreakable lenses and tamperproof screws help VSL Series withstand severe punishment, and make them ideally suited for VANDAL and HIGH ABUSE areas, where deliberate tampering is expected.

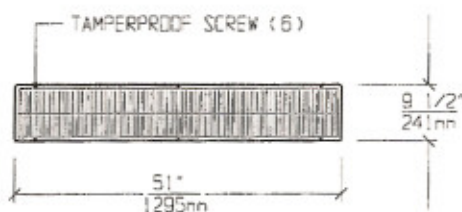
FEATURES

- ♦ 16 gauge die formed Backpan
- ♦ 4 feet by 9 1/2 in. nominal size
- ♦ Injection molded prismatic polycarbonate Refractor provides uniform illumination
- ♦ Tamperproof Screws with captive cage nuts
- ♦ Ceiling or Wall mounted
- ♦ Non-corrosive durable coating
- ♦ Maintenance free, one time installation
- ♦ Stands up to physical impact and tampering
- ♦ Removable Power Tray
- ♦ K.O.'s for Surface Conduit and Row Mounting

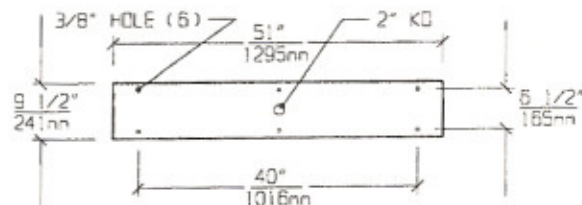
CROSS SECTION



LENS FRAME DIMENSIONS



TOP VIEW / MOUNTING DIMENSIONS



SPECIFICATIONS

- | | |
|---|---|
| <p>A. BACKPAN 16 gauge die formed cold rolled steel Backpan with welded seams. K.O.'s for row mounting.</p> <p>B. GASKET Polyurethane Gasket around inside of Lens to prevent light leaks.</p> <p>C. FASTENERS Captive tamperproof fasteners. (Torx head standard. For others see Options).</p> <p>D. LENS .187" prismatic polycarbonate Lens with external prisms for even illumination. Injection molded.</p> | <p>E. LAMPS 32W T-8 or 40W T-12 Lamps. See Lamp Options. (Lamps by others).</p> <p>F. BALLAST HPF, Class P, Energy saving Ballast (See Voltage, Ballast Options).</p> <p>G. FINISH Polyester Powder coat white finish with 92% reflectance</p> <p>H. U.L. LISTED Suitable for Damp Locations. Wet Locations construction available.</p> |
|---|---|

LAMP SELECTION



LAMPS: (1) 32W T-8
(1) 40W T-12



LAMPS: (2) 32W T-8
(2) 40W T-12



LAMPS: (3) 32W T-8
(3) 40W T-12

ORDERING INFORMATION

VSL - 34 -

No. of LAMPS	WATTAGE	VOLTAGE	BALLAST	OPTIONS
1=1 Lamp	32=32 Watts	120=120 Volts	EB=Electronic	OL=OpsLens <i>NA</i>
2=2 Lamps	(T-8)	277=277 Volts	Ballast	GF=GLR Fuse
3=3 Lamps	40=40 Watts	347=347 Volts	MB=Magnetic	NL=Night Light (PL-7or 9)
<i>4=4 LAMPS</i>	(T-12)		Ballast	DB=Dimming Ballast
			EB2=(2) Electr.	EM=Emergency Lighting
			Ballasts	CW=Cold Weather
			EBH=<10% THD	Ballast
			El. Ballast	RF=Radio Frequency Interference Filter
				AH=Allen Head Screws
				OH=Oval Head Screws

(More than one Option can be specified)

EXAMPLE: VSL - 34 - 3 - 32 - 277 - EB - GF - NL

DESCRIPTION: VSL-34 = Series VSL, 9 1/2 inches by 4 feet nominal size
 3 = 3 Lamps
 32 = 32 Watts T-8 Lamps
 277 = 277 Volt Operation
 EB = Electronic Ballast
 GF = GLR Fuse
 NL = Night Light for PL - 7 or 9

FIXTURE TYPE	COMMENTS
CATALOG NUMBER VSL-34-	
JOB NAME	
APPROVAL	
DATE	

Dimensions and Specifications subject to change without notice
 Fixture guaranteed for one year against mechanical defects in manufacture.
 2-99 VSL-34