

**LIGHTING FOR COMPLEX ENVIRONMENTS**

**12 X 12 in.**

**APPLICATIONS**

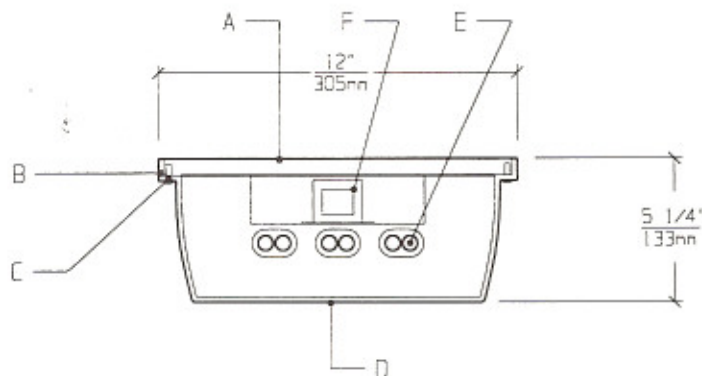
- Schools / Universities
- Apartments / Condominiums / Public Housing
- Convenience Stores
- Government Facilities
- Hospitals

Heavy gauge backpans with molded unbreakable lenses and tamperproof screws help VSM Series withstand severe punishment, and make them ideally suited for VANDAL and HIGH ABUSE areas, where deliberate tampering is expected.

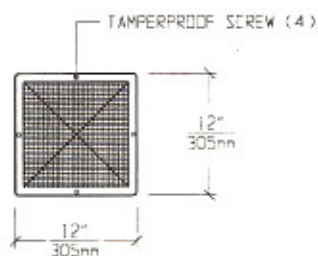
**FEATURES**

- ♦ 16 gauge die formed Backpan
- ♦ 12 in. by 12 in. nominal size
- ♦ Injection molded prismatic polycarbonate Refractor provides uniform illumination
- ♦ Tamperproof Screws (Torx head standard)
- ♦ Ceiling or Wall mounted
- ♦ Non-corrosive durable coating
- ♦ Maintenance free, one time installation
- ♦ Stands up to physical impact and tampering

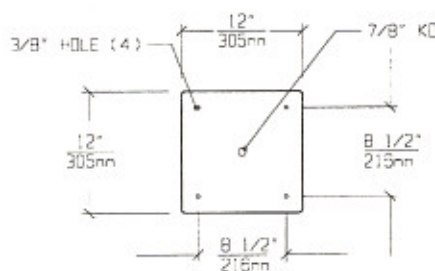
**CROSS SECTION**



**LENS FRAME DIMENSIONS**



**TOP VIEW / MOUNTING DIMENSIONS**



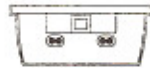
**SPECIFICATIONS**

<p><b>A. BACKPAN</b> 16 gauge die formed cold rolled steel Backpan with welded seams.</p> <p><b>B. GASKET</b> Polyurethane Gasket around inside of Lens to prevent light leaks.</p> <p><b>C. FASTENERS</b> Captive tamperproof fasteners. (Torx head standard. For others see Options).</p> <p><b>D. LENS</b> .125" prismatic polycarbonate Lens with external prisms for even illumination. Injection molded.</p>	<p><b>E. LAMPS</b> 13W Twin, 26W or 28W Quad, or 22W Circline Lamps. See Lamp Options. (Lamps by others).</p> <p><b>F. BALLAST</b> NPF, self-start Class P, or electronic Ballast (See Voltage, Ballast Options).</p> <p><b>G. FINISH</b> Polyester Powder coat white finish with 92% reflectance</p> <p><b>H. U.L. LISTED</b> Suitable for Damp Locations. Wet Locations construction available.</p>
--	---

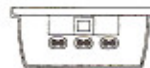
**LAMP SELECTION**



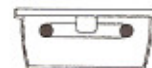
LAMPS: (1) 13W TWIN  
LAMPS: (1) 26W QUAD  
LAMPS: (1) 28W QUAD



LAMPS: (2) 13W TWIN  
LAMPS: (2) 26W QUAD  
LAMPS: (2) 28W QUAD



LAMPS: (3) 13W TWIN



LAMPS: (1) 22W CIRCLINE  
LAMPS: (2) 22W CIRCLINE

**ORDERING INFORMATION**

**VSM - 12 -**

No. of LAMPS	WATTAGE	VOLTAGE	BALLAST	OPTIONS
1=1 Lamp	13=13W Twin	120=120 Volts	EB=Electronic	OL=Opal Lens
2=2 Lamps	26=26W Quad	277=277 Volts	Ballast	GF=GLR Fuse
3=3 Lamps	28=28W Quad	347=347 Volts	MB=Magnetic	AH=Allen Head Screws
	22=22W Circline		Ballast	OH=Oval Head Screws

(More than one Option can be specified)

**EXAMPLE: VSM - 12 - 3 - 13 - 277 - MB - GF - AH**

**DESCRIPTION:** VSM-12 = Series VSM, 12 inches by 12 inches nominal size  
 3 = 3 Lamps  
 13 = 13 Watts Biax Twin Tube  
 277 = 277 Volt Operation  
 MB = Magnetic Ballast  
 GF = GLR Fuse  
 AH = Allen Head Screws

FIXTURE TYPE		COMMENTS
CATALOG NUMBER	VSM-12-	
JOB NAME		
APPROVAL		
DATE		

Dimensions and Specifications subject to change without notice  
 Fixture guaranteed for one year against mechanical defects in manufacture.  
 2-97 VSM-12