

LIGHTING FOR COMPLEX ENVIRONMENTS

5 X 8 in.

APPLICATIONS

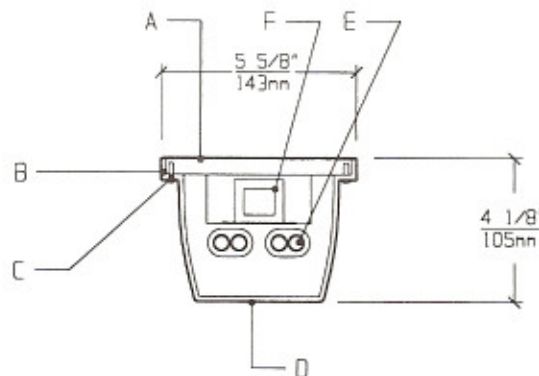
- Schools / Universities
- Apartments / Condominiums / Public Housing
- Convenience Stores
- Government Facilities
- Hospitals

Heavy gauge backpans with molded unbreakable lenses and tamperproof screws help VSM Series withstand severe punishment, and make them ideally suited for VANDAL and HIGH ABUSE areas, where deliberate tampering is expected.

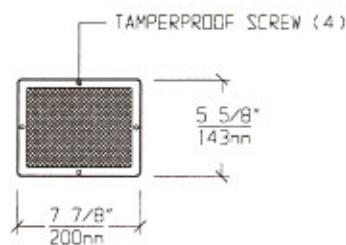
FEATURES

- ♦ 16 gauge die formed Backpan
- ♦ 5 in. by 8 in. nominal size
- ♦ Injection molded prismatic polycarbonate Refractor provides uniform illumination
- ♦ Tamperproof Screws (Torx head standard)
- ♦ Ceiling or Wall mounted
- ♦ Non-corrosive durable coating
- ♦ Maintenance free, one time installation
- ♦ Stands up to physical impact and tampering

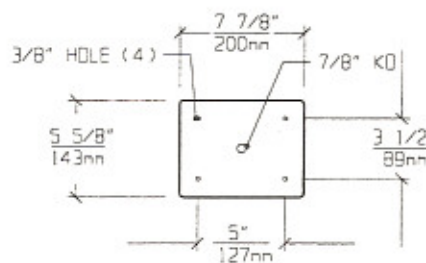
CROSS SECTION



LENS FRAME DIMENSIONS



TOP VIEW / MOUNTING DIMENSIONS



SPECIFICATIONS

<p>A. BACKPAN 16 gauge die formed cold rolled steel Backpan with welded seams.</p> <p>B. GASKET Polyurethane Gasket around inside of Lens to prevent light leaks.</p> <p>C. FASTENERS Captive tamperproof fasteners. (Torx head standard. For others see Options).</p> <p>D. LENS .125" prismatic polycarbonate Lens with external prisms for even illumination. Injection molded.</p>	<p>E. LAMPS 7W Biax Twin Tube Lamps. See Lamp Options. (Lamps by others).</p> <p>F. BALLAST NPF, self-start Class P, Ballast (See Voltage, Ballast Options).</p> <p>G. FINISH Polyester Powder coat white finish with 92% reflectance</p> <p>H. U.L. LISTED Suitable for Damp Locations. Wet Locations construction available.</p>
--	--

LAMP SELECTION



LAMPS: (1) 7W BIAX



LAMPS: (2) 7W BIAX

ORDERING INFORMATION

VSM - 58 -	No. of LAMPS	WATTAGE	VOLTAGE	BALLAST	OPTIONS
	1=1 Lamp	7=7 Watts	120=120 Volts	EB=Electronic	OL=Opal Lens
	2=2 Lamps	Biax	277=277 Volts	Ballast	GF=GLR Fuse
		Twin Tube	347=347 Volts	MB=Magnetic	AH=Allen Head Screws
				Ballast	OH=Oval Head Screws

(More than one Option
can be specified)

EXAMPLE: VSM - 58 - 2 - 7 - 277 - MB - GF - AH

DESCRIPTION: VSM-58 = Series VSM, 5 inches by 8 inches nominal size
 2 = 2 Lamps
 7 = 7 Watts Biax Twin Tube
 277 = 277 Volt Operation
 MB = Magnetic Ballast
 GF = GLR Fuse
 AH = Allen Head Screws

FIXTURE TYPE		COMMENTS
CATALOG NUMBER	VSM-58-	
JOB NAME		
APPROVAL		
DATE		

Dimensions and Specifications subject to change without notice.
 Fixture guaranteed for one year against mechanical defects in manufacture.
 2-97 VSM-58