

**LIGHTING FOR COMPLEX ENVIRONMENTS**

**8 X 8 in.**

**APPLICATIONS**

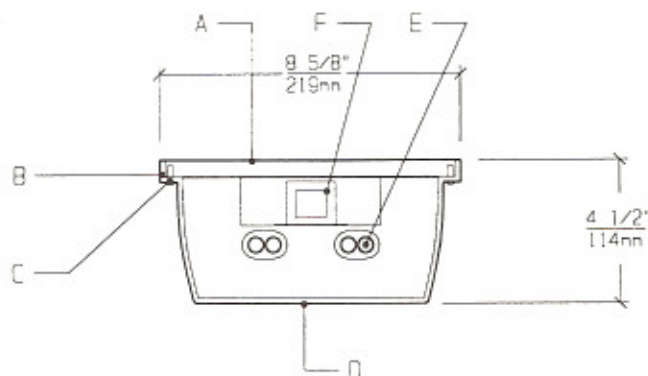
- Schools / Universities
- Apartments / Condominiums / Public Housing
- Convenience Stores
- Government Facilities
- Hospitals

Heavy gauge backpans with molded unbreakable lenses and tamperproof screws help VSM Series withstand severe punishment, and make them ideally suited for VANDAL and HIGH ABUSE areas, where deliberate tampering is expected.

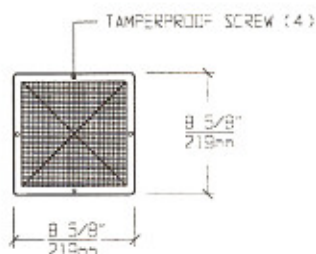
**FEATURES**

- ♦ 16 gauge die formed Backpan
- ♦ 8 in. by 8 in. nominal size
- ♦ Injection molded prismatic polycarbonate Refractor provides uniform illumination
- ♦ Tamperproof Screws (Torx head standard)
- ♦ Ceiling or Wall mounted
- ♦ Non-corrosive durable coating
- ♦ Maintenance free, one time installation
- ♦ Stands up to physical impact and tampering

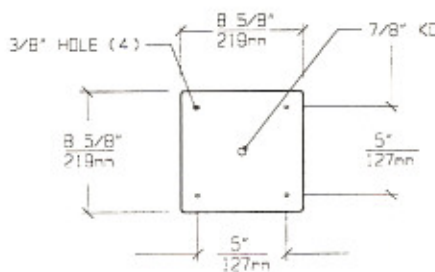
**CROSS SECTION**



**LENS FRAME DIMENSIONS**



**TOP VIEW / MOUNTING DIMENSIONS**



**SPECIFICATIONS**

<p><b>A. BACKPAN</b> 16 gauge die formed cold rolled steel Backpan with welded seams.</p> <p><b>B. GASKET</b> Polyurethane Gasket around inside of Lens to prevent light leaks.</p> <p><b>C. FASTENERS</b> Captive tamperproof fasteners. (Torx head standard. For others see Options).</p> <p><b>D. LENS</b> .125" prismatic polycarbonate Lens with external prisms for even illumination. Injection molded.</p>	<p><b>E. LAMPS</b> 9W, 13W Twin Tube or 13W Quad Lamps. See Lamp Options. (Lamps by others).</p> <p><b>F. BALLAST</b> NPF, self-start Class P, Ballast (See Voltage, Ballast Options).</p> <p><b>G. FINISH</b> Polyester Powder coat white finish with 92% reflectance</p> <p><b>H. U.L. LISTED</b> Suitable for Damp Locations. Wet Locations construction available.</p>
--	--

**LAMP SELECTION**



LAMPS: (1) 9W TWIN  
(1) 13W TWIN  
(1) 13W QUAD



LAMPS: (2) 9W TWIN  
(2) 13W TWIN  
(2) 13W QUAD

**ORDERING INFORMATION**

VSM - 88 -	No. of LAMPS	WATTAGE	VOLTAGE	BALLAST	OPTIONS
	1=1 Lamp	9=9W Twin	120=120 Volts	EB=Electronic Ballast	OL=Opal Lens
	2=2 Lamps	13=13W Twin	277=277 Volts	MB=Magnetic Ballast	GF=GLR Fuse
		13Q=13W Quad	347=347 Volts		AH=Allen Head Screws
					OH=Oval Head Screws

(More than one Option can be specified)

**EXAMPLE: VSM - 88 - 2 - 9 - 277 - MB - GF - AH**

**DESCRIPTION:** VSM-88 = Series VSM, 8 inches by 8 inches nominal size  
 2 = 2 Lamps  
 9 = 9 Watts Biax Twin Tube  
 277 = 277 Volt Operation  
 MB = Magnetic Ballast  
 GF = GLR Fuse  
 AH = Allen Head Screws

FIXTURE TYPE		COMMENTS
CATALOG NUMBER	VSM-88-	
JOB NAME		
APPROVAL		
DATE		

Dimensions and Specifications subject to change without notice.  
 Fixture guaranteed for one year against mechanical defects in manufacture.  
 2-97 VSM-88