

LIGHTING FOR COMPLEX ENVIRONMENTS

15 in. Round

APPLICATIONS

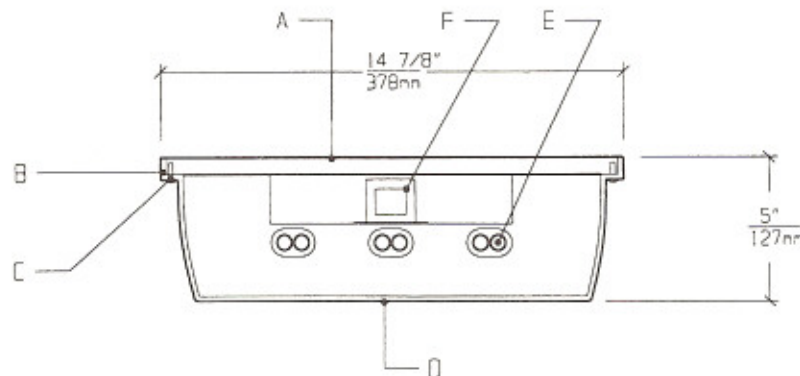
- Schools / Universities
- Apartments / Condominiums / Public Housing
- Convenience Stores
- Government Facilities
- Hospitals

Heavy gauge backpans with molded unbreakable lenses and tamperproof screws help VSR Series withstand severe punishment, and make them ideally suited for VANDAL and HIGH ABUSE areas, where deliberate tampering is expected.

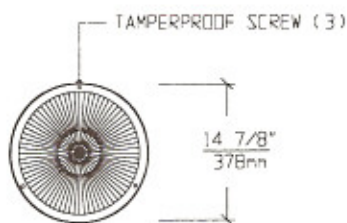
FEATURES

- ♦ Heavy gauge spun Backpan
- ♦ 15 in. diameter nominal size
- ♦ Injection molded prismatic polycarbonate Refractor provides uniform illumination
- ♦ Tamperproof Screws (Torx head standard)
- ♦ Ceiling or Wall mounted
- ♦ Non-corrosive durable coating
- ♦ Maintenance free, one time installation
- ♦ Stands up to physical impact and tampering

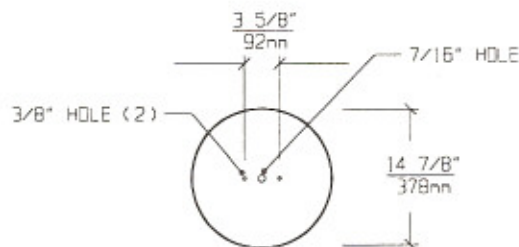
CROSS SECTION



LENS FRAME DIMENSIONS



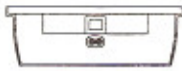
TOP VIEW / MOUNTING DIMENSIONS



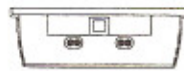
SPECIFICATIONS

<p>A. BACKPAN 18 gauge spun cold rolled steel Backpan Painted white.</p> <p>B. GASKET Polyurethane Gasket around inside of Lens to prevent light leaks.</p> <p>C. FASTENERS Captive tamperproof fasteners. (Torx head standard. For others see Options).</p> <p>D. LENS .125" prismatic polycarbonate Lens with external prisms for even illumination. Injection molded.</p>	<p>E. LAMPS 13W Twin, 26W or 28W Quad, or 32W Circline Lamps. See Lamp Options. (Lamps by others).</p> <p>F. BALLAST NPF, self-start Class P, or electronic Ballast (See Voltage, Ballast Options).</p> <p>G. FINISH Polyester Powder coat white finish with 92% reflectance</p> <p>H. U.L. LISTED Suitable for Damp Locations. Wet Locations construction available.</p>
--	---

LAMP SELECTION



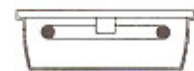
LAMPS: (1) 13W TWIN
LAMPS: (1) 26W QUAD
LAMPS: (1) 28W QUAD



LAMPS: (2) 13W TWIN
LAMPS: (2) 26W QUAD
LAMPS: (2) 28W QUAD



LAMPS: (3) 13W TWIN



LAMPS: (1) 32W CIRCLINE

ORDERING INFORMATION

VSR - 15 -

No. of LAMPS	WATTAGE	VOLTAGE	BALLAST	OPTIONS
1=1 Lamp	13=13W Twin	120=120 Volts	EB=Electronic	OL=Opal Lens
2=2 Lamps	26=26W Quad	277=277 Volts	Ballast	GF=GLR Fuse
3=3 Lamps	28=28W Quad	347=347 Volts	MB=Magnetic	AH=Allen Head Screws
	32=32W Circline		Ballast	OH=Oval Head Screws

(More than one Option can be specified)

EXAMPLE: VSR - 15 - 3 - 13 - 277 - MB - GF - AH

DESCRIPTION: VSR-15 = Series VSR, 15 inches diameter nominal size
 3 = 3 Lamps
 13 = 13 Watts Biax Twin Tube
 277 = 277 Volt Operation
 MB = Magnetic Ballast
 GF = GLR Fuse
 AH = Allen Head Screws

FIXTURE TYPE		COMMENTS
CATALOG NUMBER	VSR-15-	
JOB NAME		
APPROVAL		
DATE		

Dimensions and Specifications subject to change without notice
 Fixture guaranteed for one year against mechanical defects in manufacture.
 2-97 VSR-15